

**393**

**A & B**



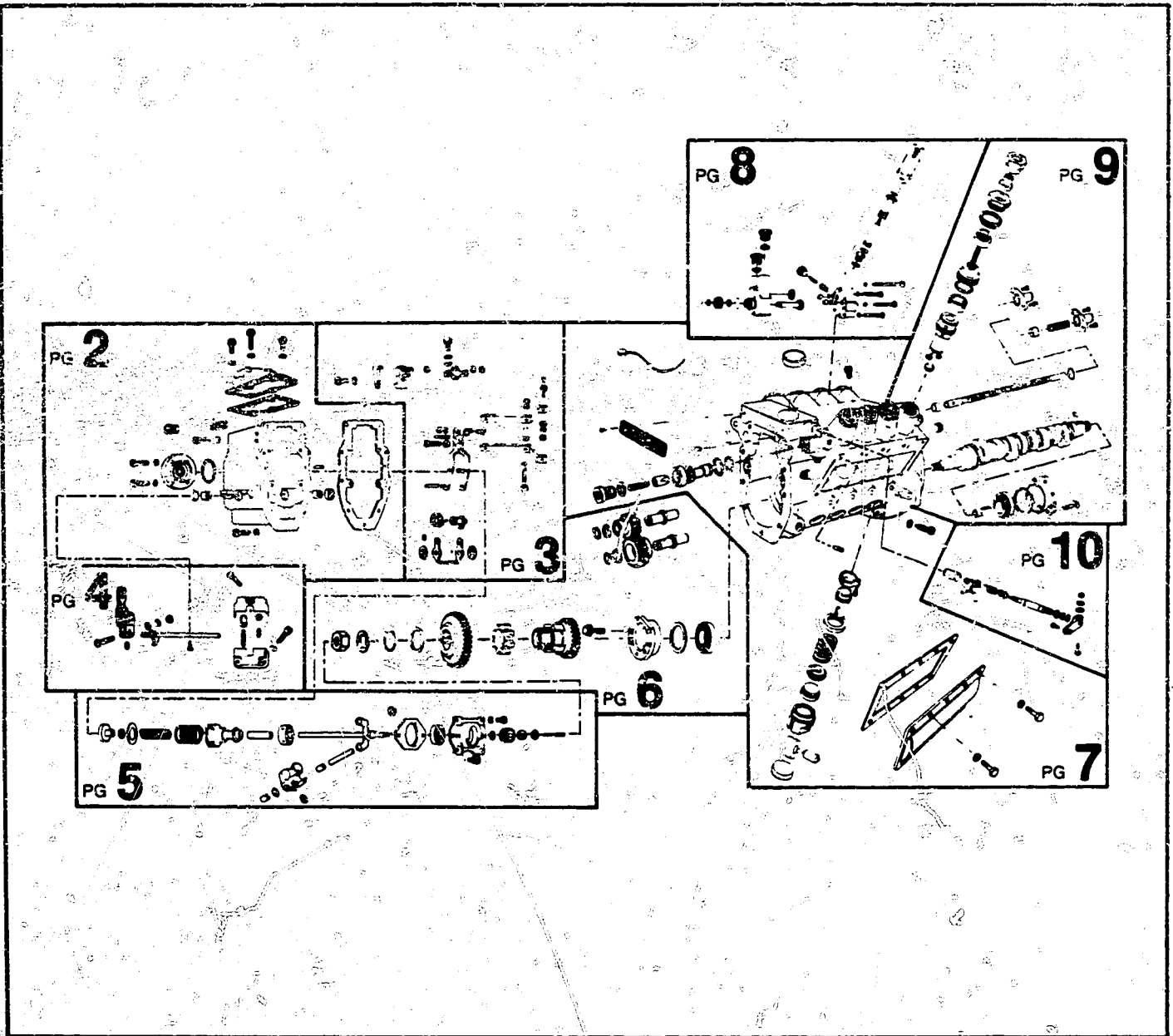
**PUMP ROTATION:**  
Counterclockwise: Finng Order. 1-5-4-8-6-3-7-2  
**MOUNT:**  
V62  
**TIMED FOR PORT CLOSING**  
**SPECIAL FEATURES:**  
3.00:1 Gear Ratio

**MACK**  
**MODEL 300 #PVM450393**  
**Special Information:**

### SERVICE PARTS

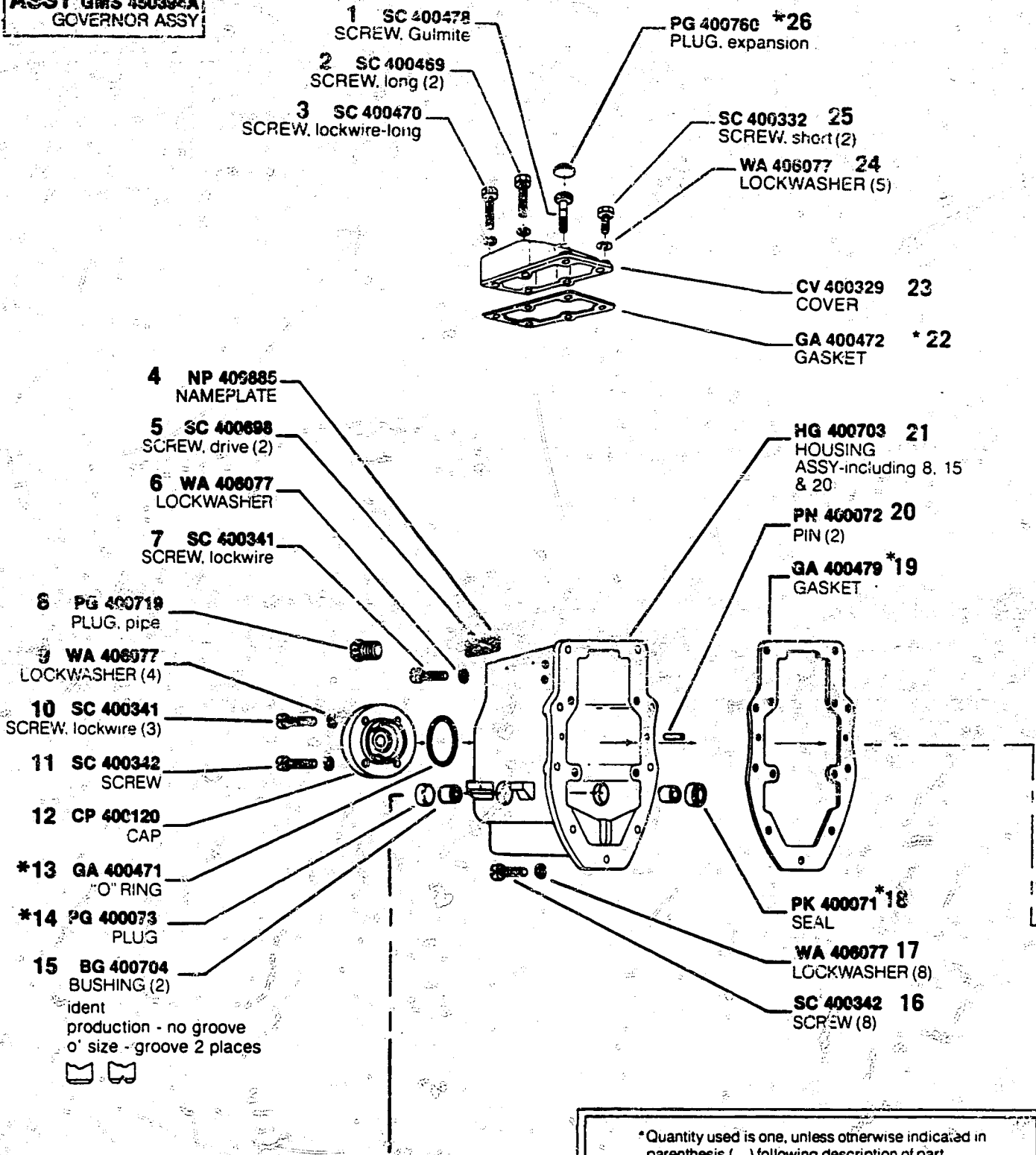
Following are all parts, part numbers, pump codes and calibrations for the Model 300 #PVM450393. The exploded view drawing below is detailed with part numbers

listed on the pages indicated. Refer to the Index Section for explanations of codes and abbreviations.



# MODEL 300 #PVM 450393

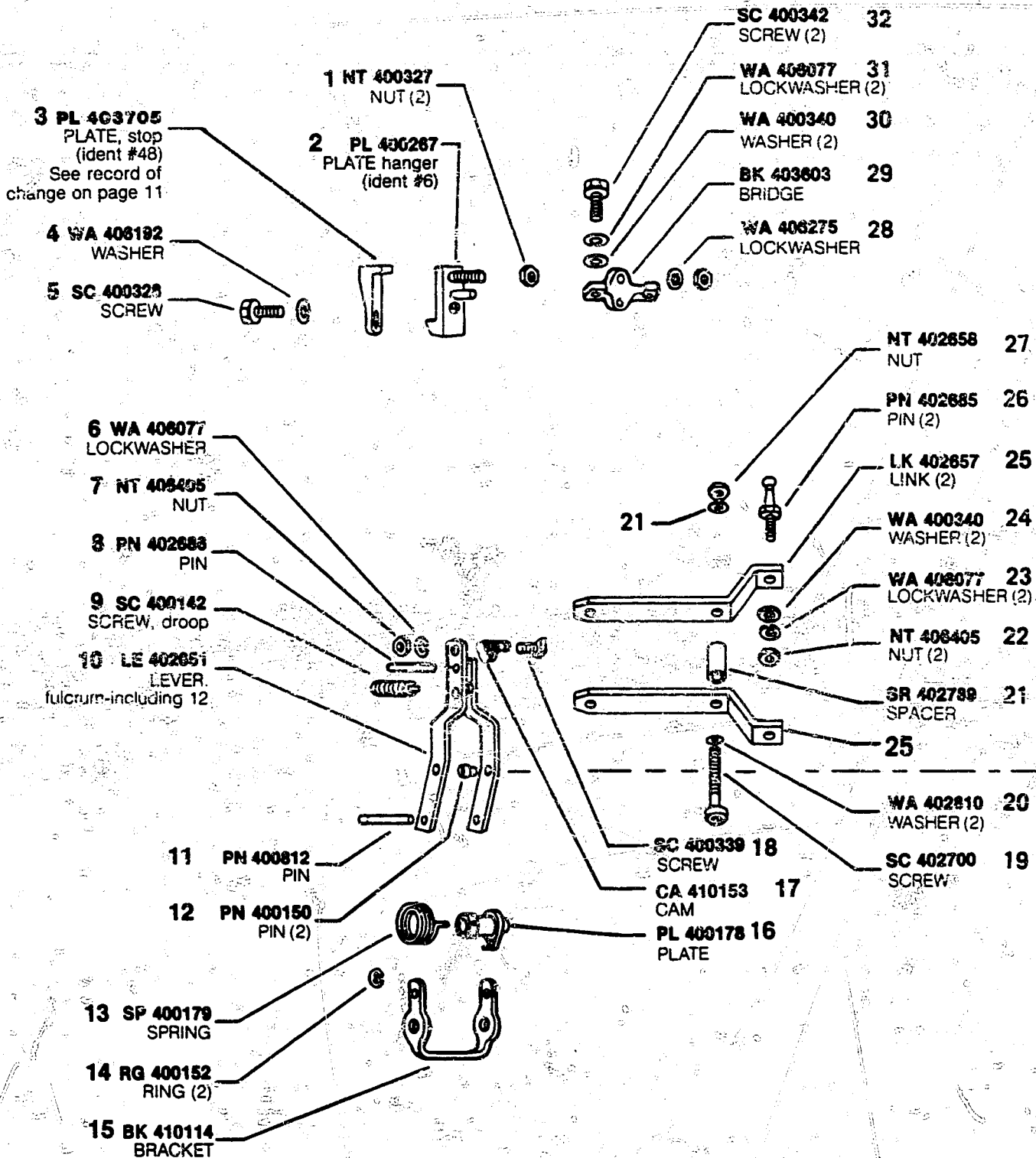
**ASSY. GMS 450394A**  
GOVERNOR ASSY



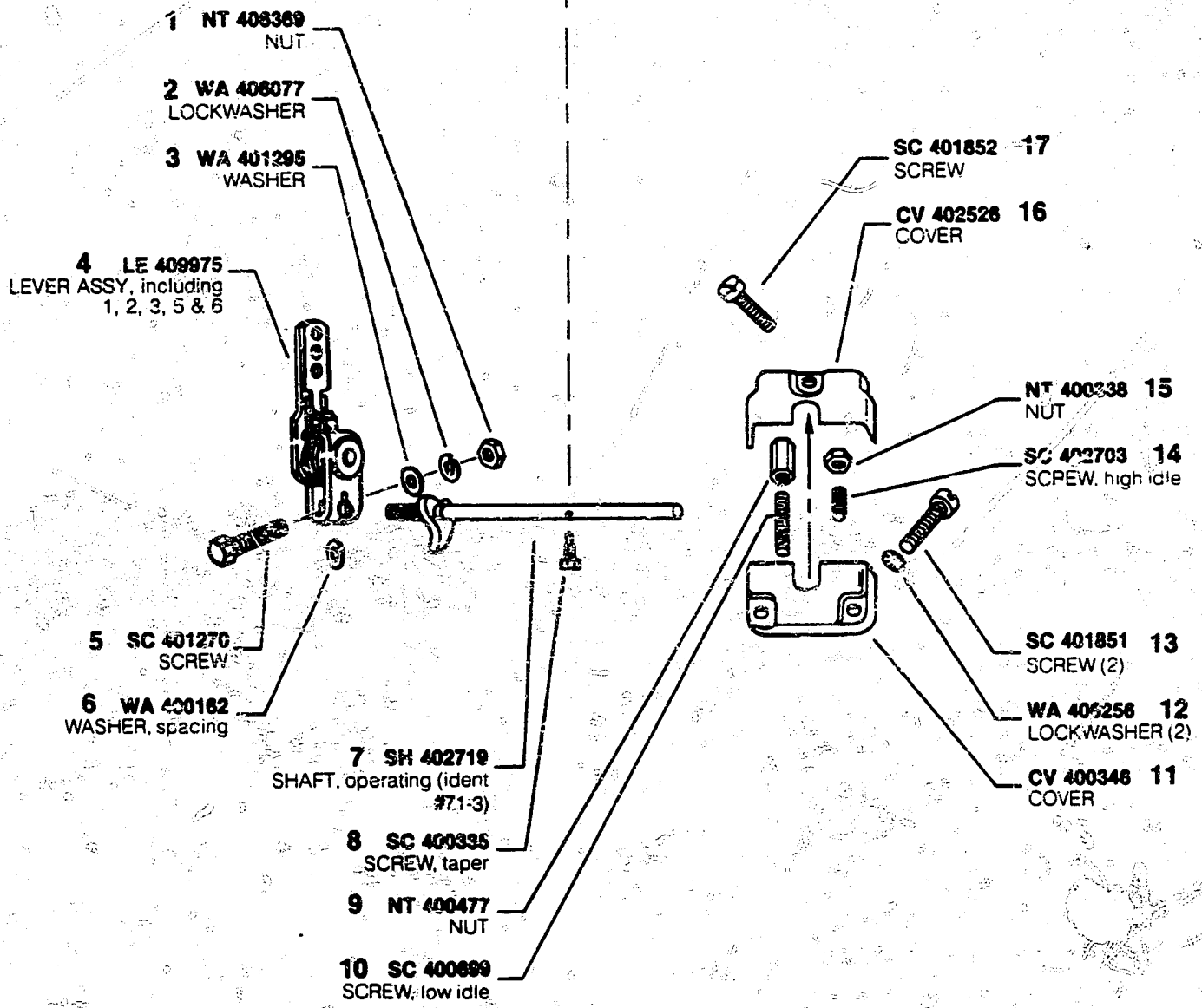
\*Quantity used is one, unless otherwise indicated in parenthesis ( ) following description of part.

\*Denotes parts included in Pump Repair Gasket Kit KT 409738.

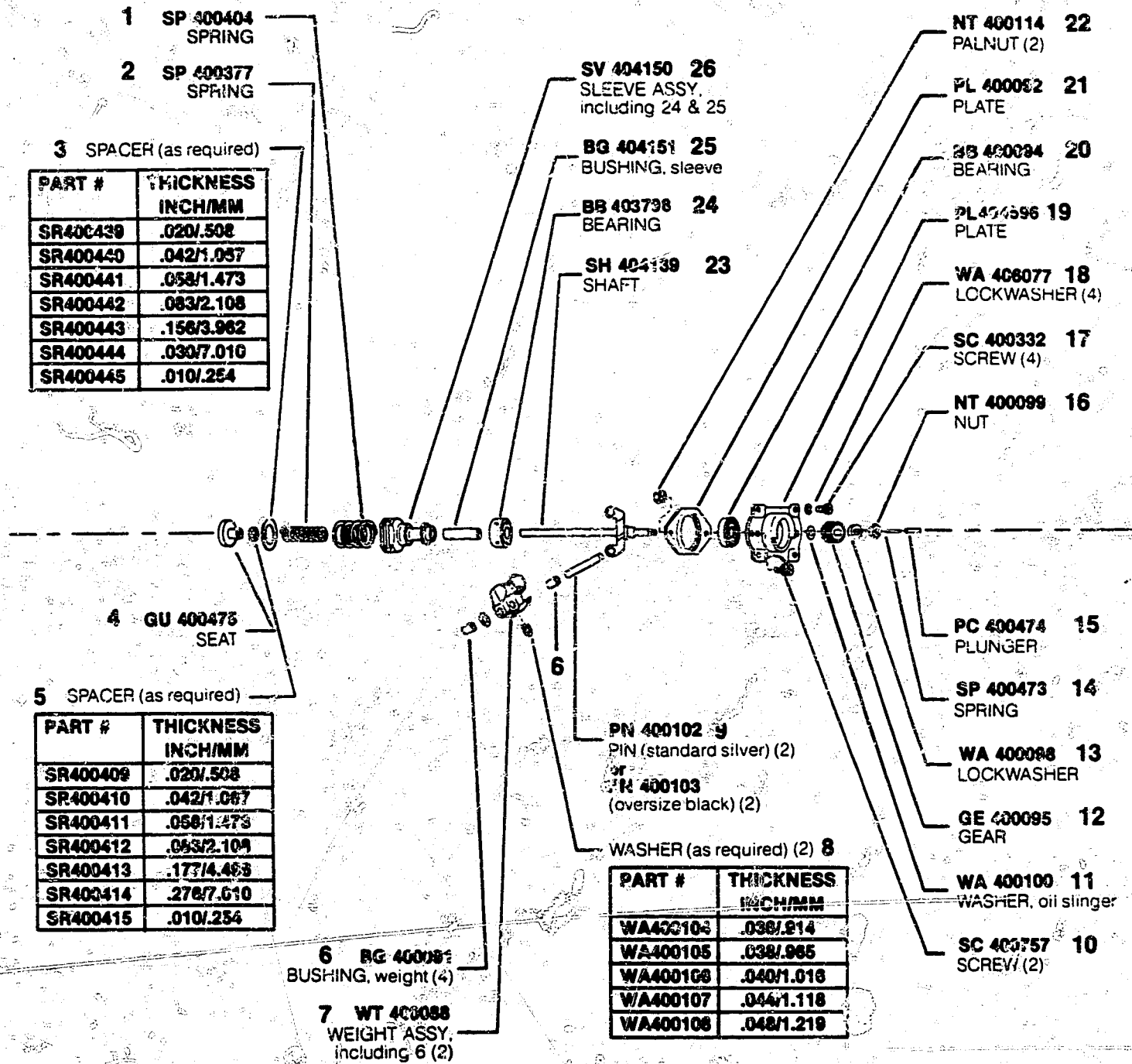
## MODEL 300 #PVM 450393



MODEL 300 #PVM 450393



**MODEL 300 #PVM 450393**



- 1 SP 400404 SPRING
- 2 SP 400377 SPRING
- 3 SPACER (as required)

PART #	THICKNESS INCH/MM
SR400439	.020/ .508
SR400440	.042/ 1.067
SR400441	.058/ 1.473
SR400442	.083/ 2.108
SR400443	.156/ 3.962
SR400444	.030/ 7.010
SR400445	.010/ .254

- 4 GU 400473 SEAT
- 5 SPACER (as required)

PART #	THICKNESS INCH/MM
SR400409	.020/ .508
SR400410	.042/ 1.067
SR400411	.058/ 1.473
SR400412	.083/ 2.108
SR400413	.177/ 4.468
SR400414	.278/ 7.010
SR400415	.010/ .254

- SV 404150 26 SLEEVE ASSY. including 24 & 25
- BG 404151 25 BUSHING, sleeve
- BB 403798 24 BEARING
- SH 404139 23 SHAFT

- NT 400114 22 PALNUT (2)
- PL 400082 21 PLATE
- BB 400094 20 BEARING
- PL 400096 19 PLATE
- WA 406077 18 LOCKWASHER (4)
- SC 400332 17 SCREW (4)
- NT 400099 16 NUT

- PN 400102 9 PIN (standard silver) (2)
- or PN 400103 (oversize black) (2)
- WASHER (as required) (2) 8

- PC 400474 15 PLUNGER
- SP 400473 14 SPRING
- WA 400098 13 LOCKWASHER
- GE 400095 12 GEAR
- WA 400100 11 WASHER, oil slinger
- SC 400757 10 SCREW (2)

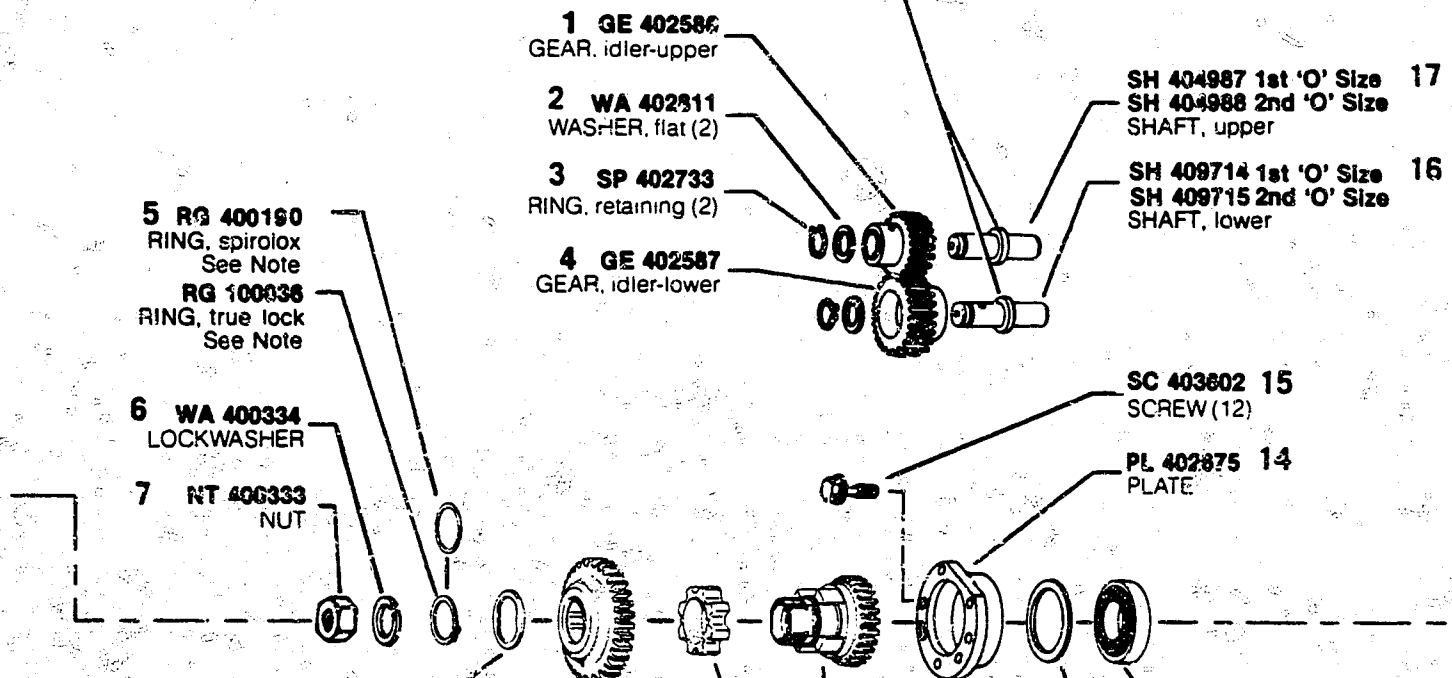
- 6 BG 400081 BUSHING, weight (4)
- 7 WT 400088 WEIGHT ASSY. including 6 (2)

PART #	THICKNESS INCH/MM
WA400104	.038/ .914
WA400105	.038/ .965
WA400106	.040/ 1.016
WA400107	.044/ 1.118
WA400108	.048/ 1.219

## MODEL 300 #PVM 450393

**ASSY GE 408660**  
**(RUBBER DRIVE)**  
**DRIVE ASSY-including**  
**5, 8 thru 11**

PRODUCTION - No Groove  
 1st 'O' SIZE - One Groove  
 2nd 'O' SIZE - Two Grooves



8 SPACER (as required)

PART #	THICKNESS INCH/MM
SR400191	.065/1.65
SR400192	.070/1.78
SR400193	.075/1.90
SR400194	.080/2.03
SR400195	.085/2.16
SR400196	.0825/1.59
SR400197	.080/1.52
SR400198	.0875/1.71
SR400199	.0725/1.84
SR400200	.0775/1.97
SR400201	.0825/2.10
SR400202	.0875/2.22

11 Not Serviced  
GEAR & HUB,  
drive- if replacement  
is  
necessary, use  
GE 408660

10 IT 400189  
INSERT, drive

9 Not Serviced  
GEAR, drive- if  
replacment is  
necessary, use  
GE 408660

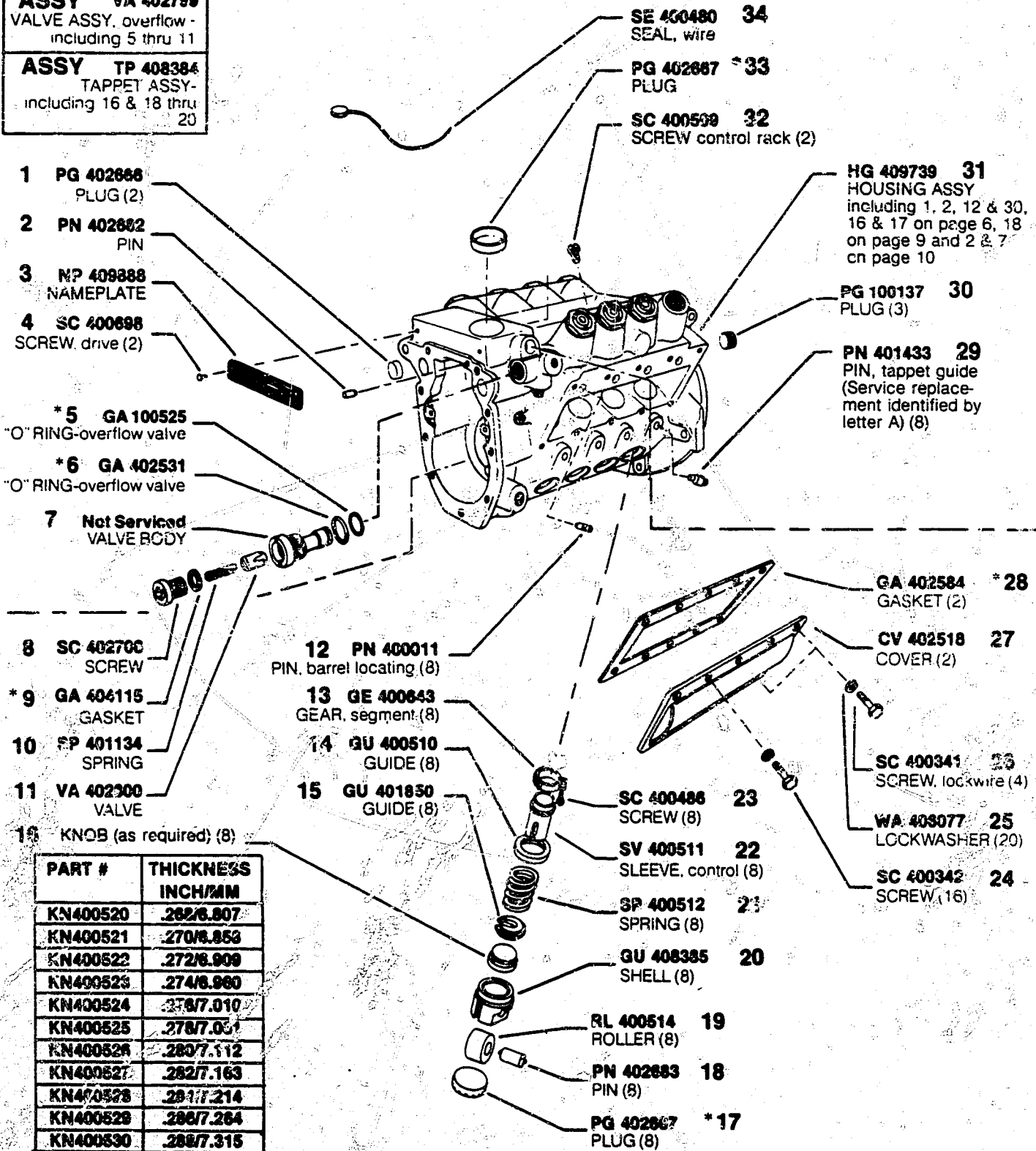
SPACER (as required) 12

PART #	THICKNESS INCH/MM
SR402736	.002/0.51
SR402737	.004/1.02
SR402738	.006/1.52
SR402739	.008/2.03
SR402740	.012/3.05
SR402741	.016/4.06
SR402742	.032/8.13

## MODEL 300 #PVM 450393

**ASSY VA 402799**  
VALVE ASSY, overflow -  
including 5 thru 11

**ASSY TP 408384**  
TAPPET ASSY-  
including 16 & 18 thru  
20



- 1 PG 402666 PLUG (2)
- 2 PN 402662 PIN
- 3 NP 409388 NAMEPLATE
- 4 SC 400698 SCREW, drive (2)
- \* 5 GA 100525 "O" RING-overflow valve
- \* 6 GA 402531 "O" RING-overflow valve
- 7 Not Serviced VALVE BODY

- 8 SC 402700 SCREW
- \* 9 GA 404115 GASKET
- 10 SP 401134 SPRING
- 11 VA 402300 VALVE
- 12 KN 400520 KNOB (as required) (8)

PART #	THICKNESS INCH/MM
KN400520	.262/6.807
KN400521	.270/6.858
KN400522	.272/6.909
KN400523	.274/6.960
KN400524	.276/7.010
KN400525	.278/7.061
KN400526	.280/7.112
KN400527	.282/7.163
KN400528	.284/7.214
KN400529	.286/7.264
KN400530	.288/7.315

- 12 PN 400011 PIN, barrel locating (8)
- 13 GE 400643 GEAR, segment (8)
- 14 GU 400510 GUIDE (8)
- 15 GU 401850 GUIDE (8)

- SE 400480 34 SEAL, wire
- PG 402667 \* 33 PLUG
- SC 400509 32 SCREW control rack (2)

- HG 409739 31 HOUSING ASSY including 1, 2, 12 & 30, 16 & 17 on page 6, 18 on page 9 and 2 & 7 on page 10
- PG 100137 30 PLUG (3)
- PN 401433 29 PIN, tappet guide (Service replacement identified by letter A) (8)

- GA 402584 \* 28 GASKET (2)
- CV 402518 27 COVER (2)
- SC 400341 26 SCREW, lockwire (4)
- WA 403077 25 LOCKWASHER (20)
- SC 400342 24 SCREW (16)

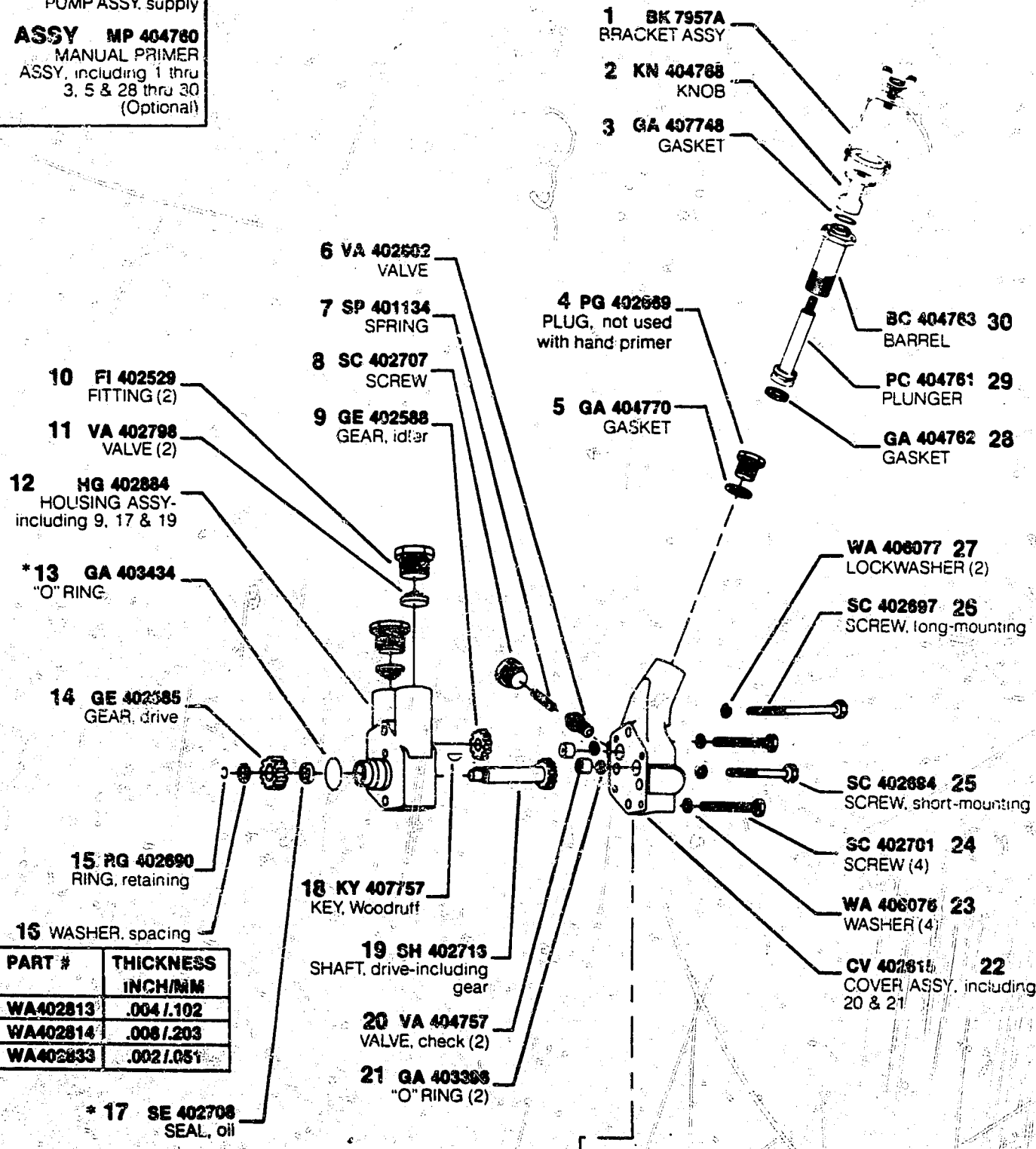
- SC 400486 23 SCREW (8)
- SV 400511 22 SLEEVE, control (8)
- SP 400512 21 SPRING (8)
- GU 408385 20 SHELL (8)
- RL 400514 19 ROLLER (8)
- PN 402663 18 PIN (8)
- PG 402667 \* 17 PLUG (8)

\* Denotes parts included in Pump Repair Gasket Kit - KT 409738.

## MODEL 300 #PVM 450393

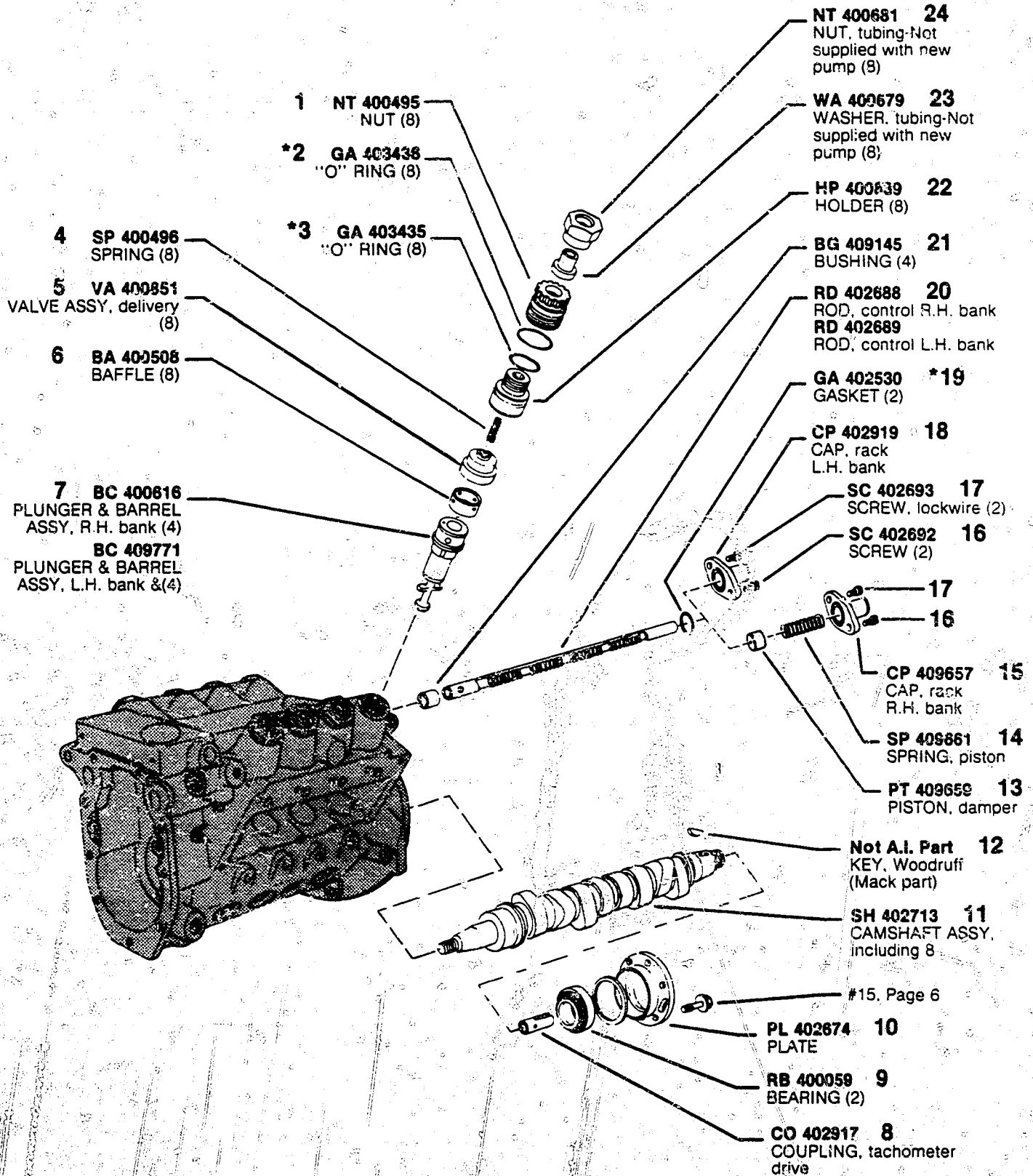
**ASSY SGL 450289A**  
PUMP ASSY. supply

**ASSY MP 404780**  
MANUAL PRIMER  
ASSY. including 1 thru  
3, 5 & 28 thru 30  
(Optional)



\*Denotes parts included in Pump Repair Gasket Kit-KT 409738.

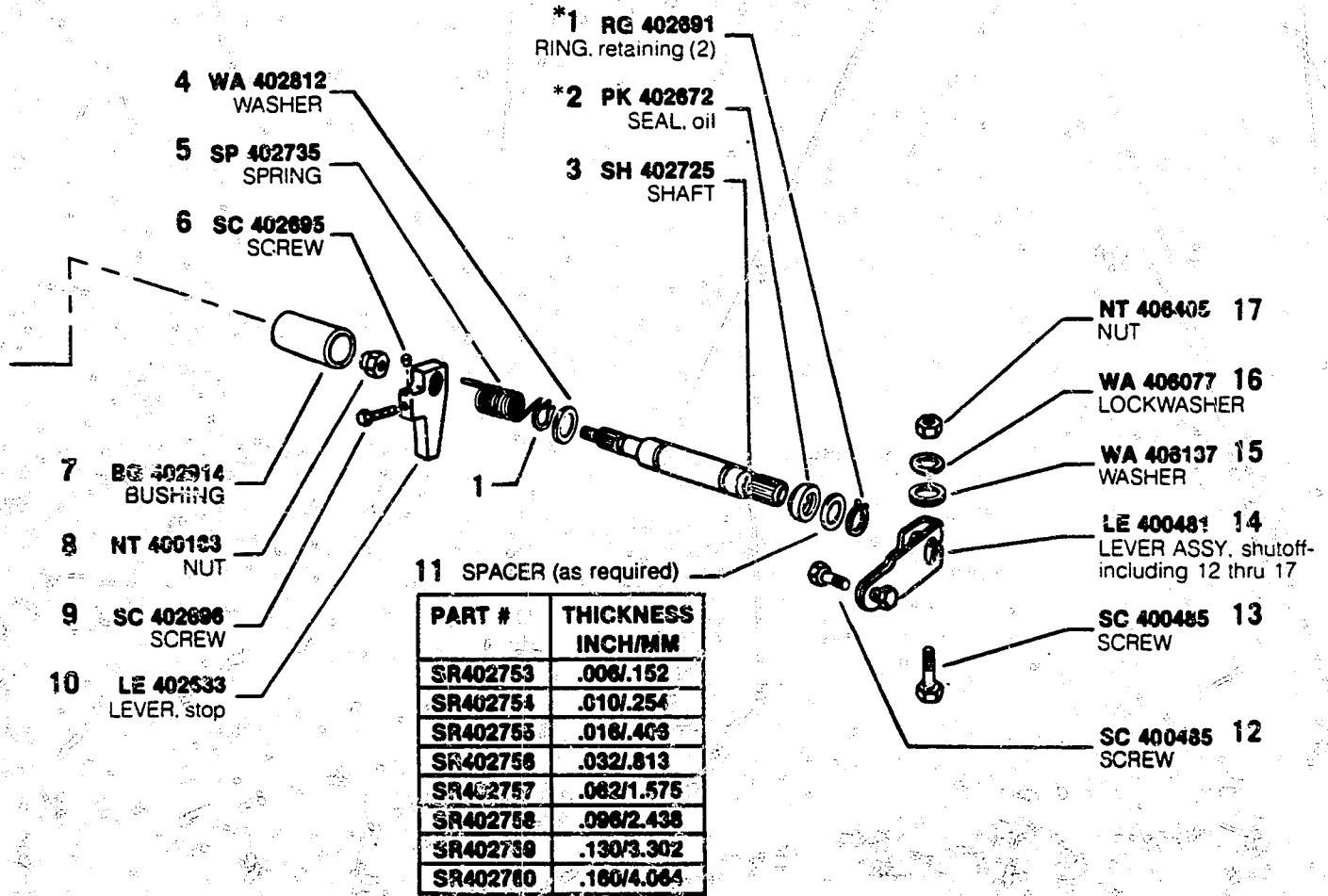
## MODEL 300 #PVM 450393



\*Denotes parts included in Pump Repair Gasket Kit KT 409738.

## MODEL 300 #PVM 450393

**ASSY LE 402634**  
**LEVER ASSY, inner**  
 stop-including 6, 9 & 10



\*Denotes parts included in Pump Repair Gasket Kit KT 409738.

## MODEL 300 #PVM 450393

