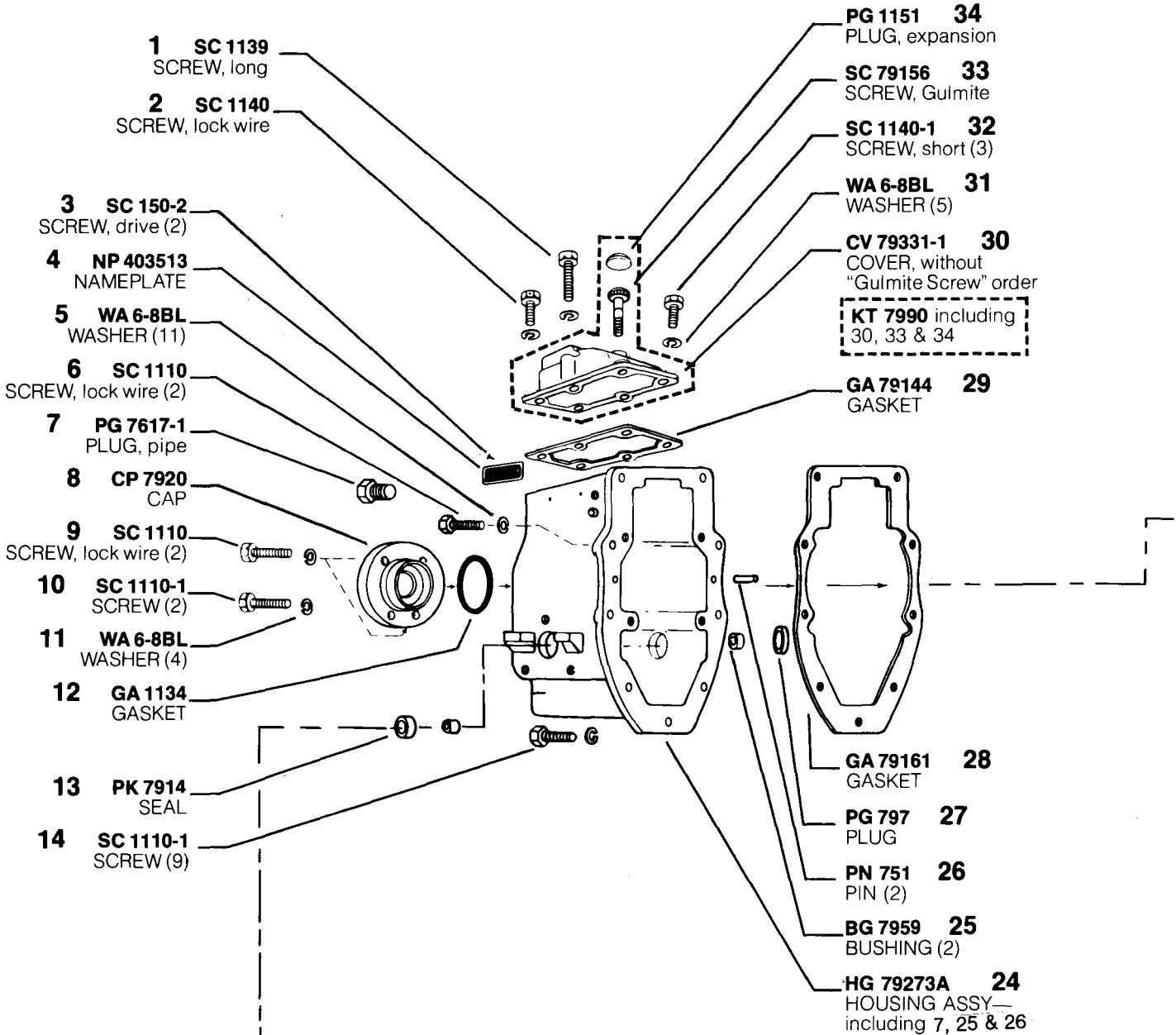


**ASSY GVB/C 6619D**  
GOVERNOR ASSY

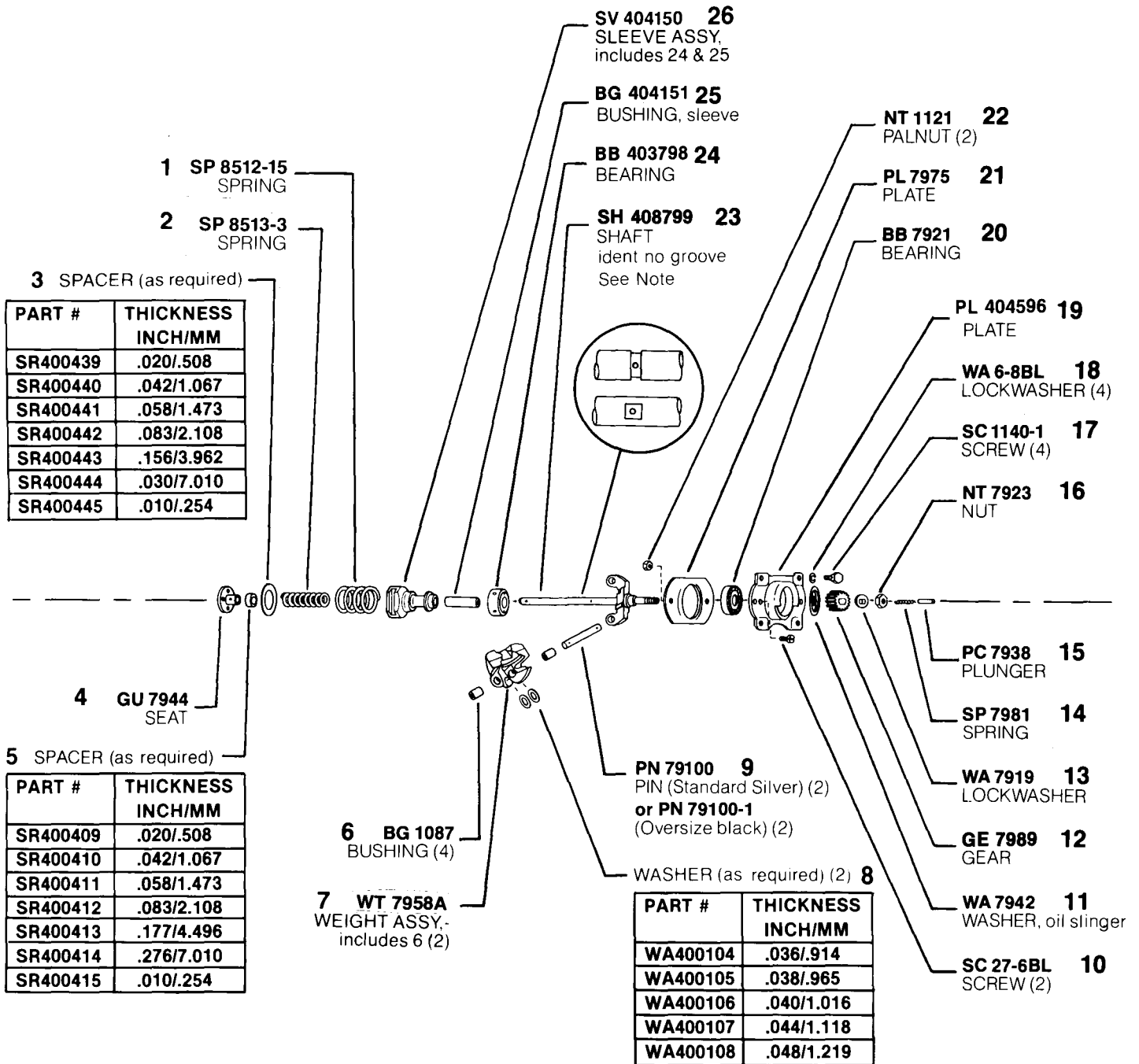


The descriptions are listed as shown in this example:

31	WA 6-8BL	WASHER	(5)
<b>illustration number</b>	<b>part number</b>	<b>description</b>	<b>quantity*</b>

\*Quantity used is one, unless otherwise indicated in parenthesis ( ) following description of part.

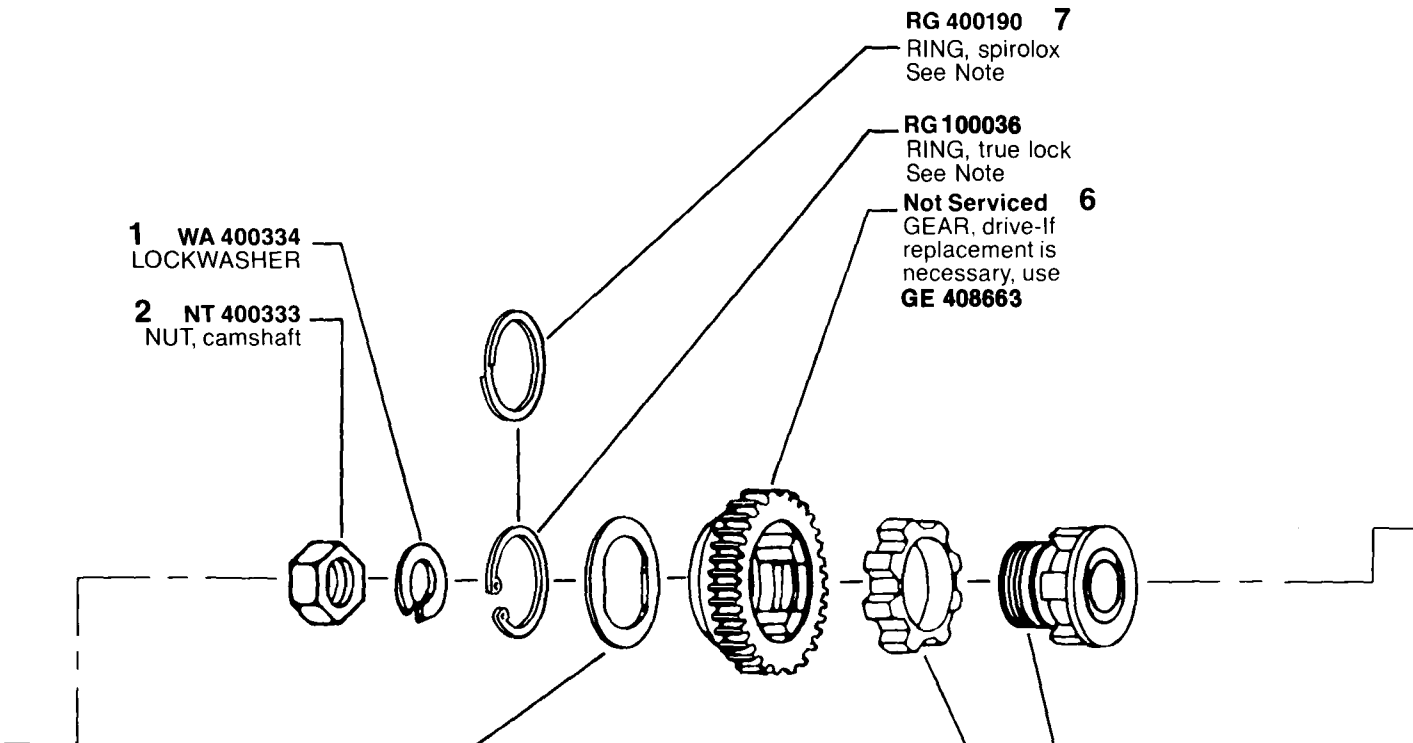
# MODEL APE 6BB 110T 6618D



NOTE: When replacing shaft (#23 w/groove) with latest shaft (SH408799 no groove) BG404151 (25) MUST be used. Shaft with groove used BG400118.

# MODEL APE 6BB 110T 6618D

**ASSY GE 408663**  
**(RUBBER DRIVE)**  
 DRIVE ASSY, includes  
 3 thru 7



**1 WA 400334**  
 LOCKWASHER

**2 NT 400333**  
 NUT, camshaft

**RG 400190 7**  
 RING, spirolox  
 See Note

**RG 100036**  
 RING, true lock  
 See Note

**Not Serviced 6**  
 GEAR, drive-If  
 replacement is  
 necessary, use  
**GE 408663**

**3 SPACER (as required)**

**Not Serviced 5**  
 HUB, drive-If  
 replacement is  
 necessary, use  
**GE 408663**

**IT 400189 4**  
 INSERT, drive

PART #	THICKNESS INCH/MM
SR400191	.065/1.65
SR400192	.070/1.78
SR400193	.075/1.90
SR400194	.080/2.03
SR400195	.085/2.16
SR400196	.0625/1.59
SR400197	.060/1.52
SR400198	.0675/1.71
SR400199	.0725/1.84
SR400200	.0775/1.97
SR400201	.0825/2.10
SR400202	.0875/2.22

#7 NOTE: Earlier rubber drive assy GE 400182 used RG 400190 (Spirolox ring), later assy GE 408663 using RG 100036 (true lock ring). Spirolox & true lock rings are NOT interchangeable.

**ASSY** NOTE: Pumps equipped with GE 7992A "Friction Clutch" refer to Service Instructions Model 6BBT Parts Bulletin P4 for Parts.

# MODEL APE 6BB 110T 6618D