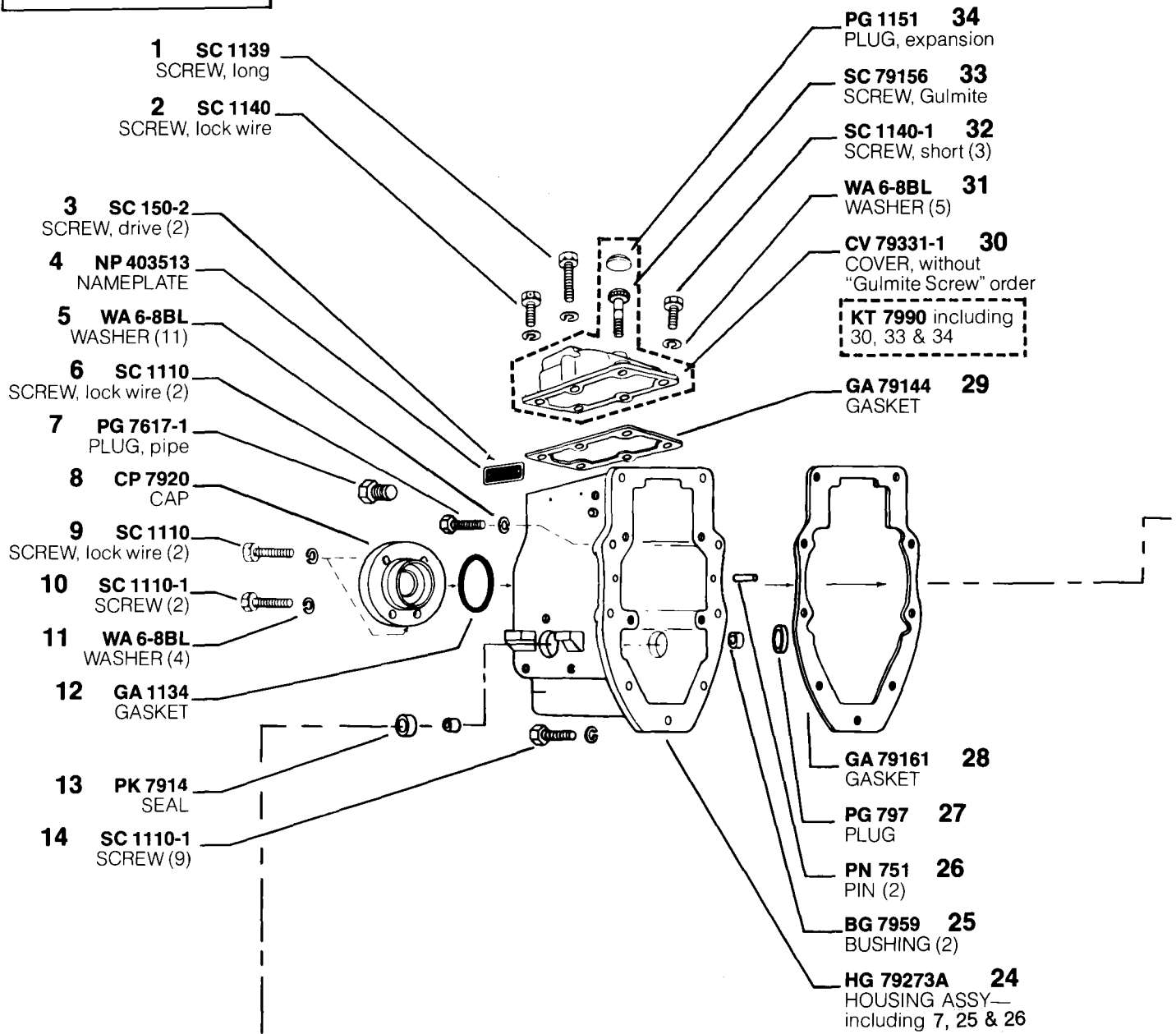


ASSY GVB/C 6655A
GOVERNOR ASSY-use
on 6654A

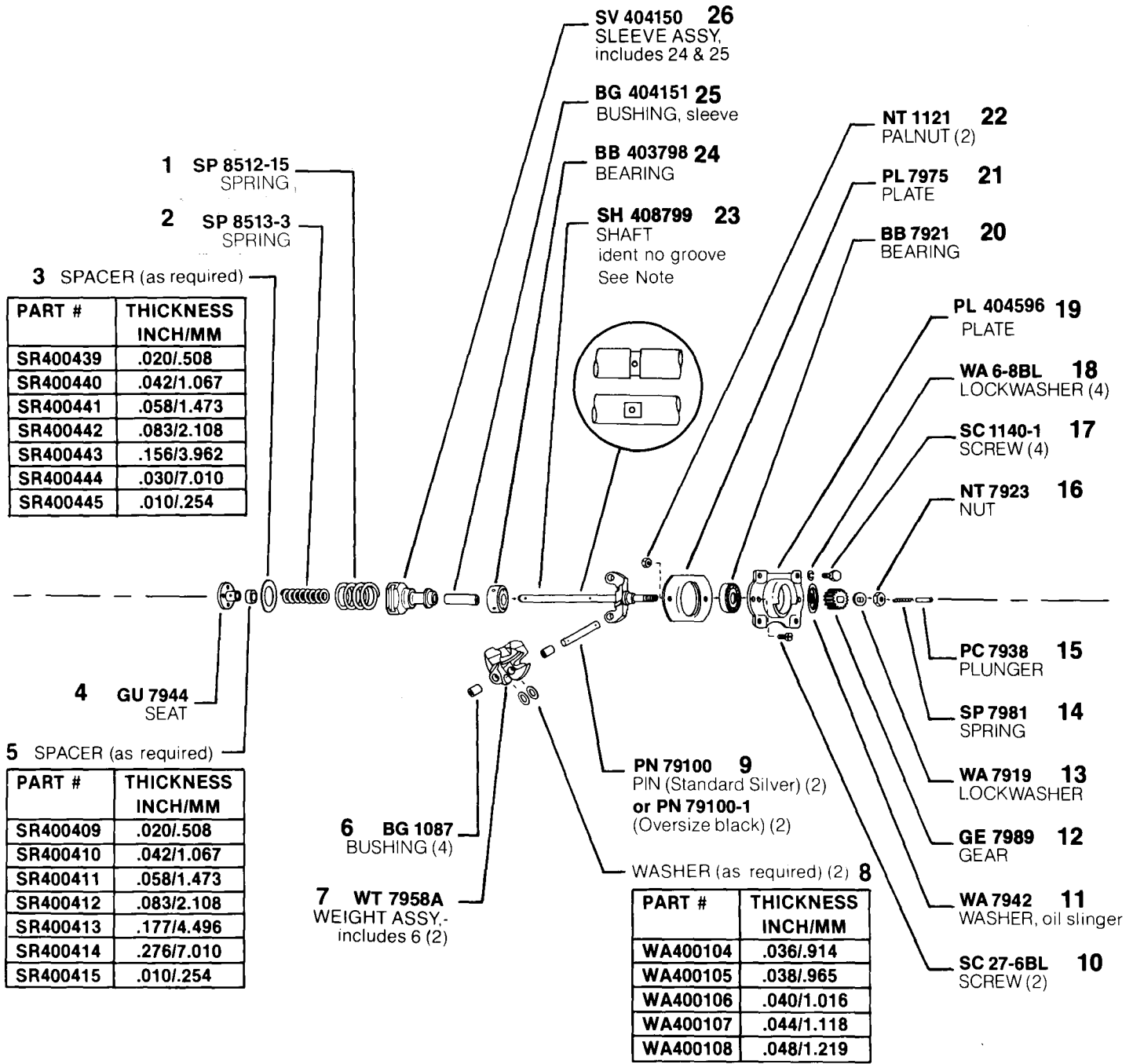


The descriptions are listed as shown in this example:

31	WA 6-8BL	WASHER	(5)
illustration number	part number	description	quantity*

*Quantity used is one, unless otherwise indicated in parenthesis () following description of part.

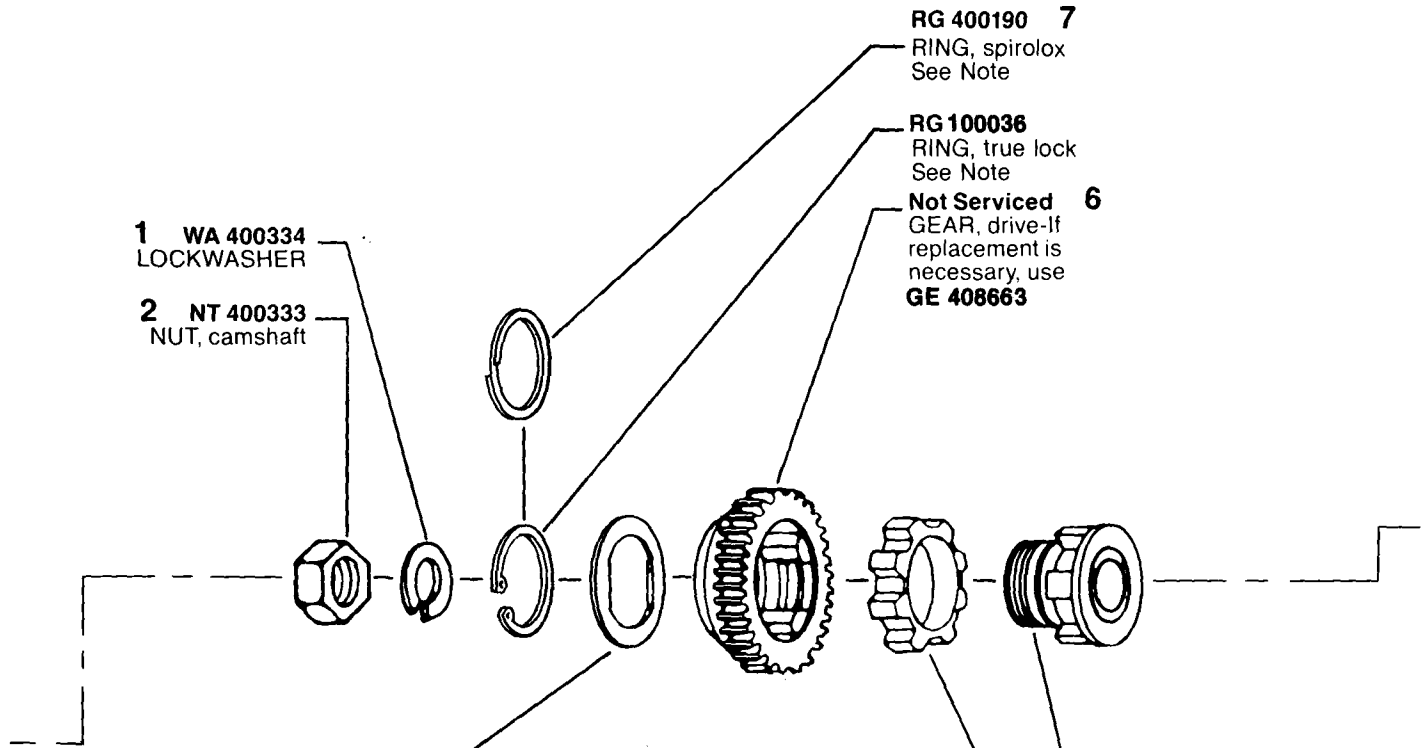
MODEL APE 6BB 110T 6654A



NOTE: When replacing shaft (#23 w/groove) with latest shaft (SH408799 no groove) BG404151 (25) MUST be used. Shaft with groove used BG400118.

MODEL APE 6BB 110T 6654A

ASSY GE 408663
(RUBBER DRIVE)
 DRIVE ASSY, includes
 3 thru 7



1 WA 400334
 LOCKWASHER

2 NT 400333
 NUT, camshaft

3 SPACER (as required)

RG 400190 7
 RING, spirolox
 See Note

RG 100036
 RING, true lock
 See Note

Not Serviced 6
 GEAR, drive-If
 replacement is
 necessary, use
GE 408663

Not Serviced 5
 HUB, drive-If
 replacement is
 necessary, use
GE 408663

IT 400189 4
 INSERT, drive

PART #	THICKNESS INCH/MM
SR400191	.065/1.65
SR400192	.070/1.78
SR400193	.075/1.90
SR400194	.080/2.03
SR400195	.085/2.16
SR400196	.0625/1.59
SR400197	.060/1.52
SR400198	.0675/1.71
SR400199	.0725/1.84
SR400200	.0775/1.97
SR400201	.0825/2.10
SR400202	.0875/2.22

#7 NOTE: Earlier rubber drive assy GE 400182 used RG 400190 (Spirolox ring), later assy GE 408663 using RG 100036 (true lock ring). Spirolox & true lock rings are NOT interchangeable.

ASSY NOTE: Pumps equipped with GE 7992A "Friction Clutch" refer to Service Instructions Model 6BBT Parts Bulletin P4 for Parts.

MODEL APE 6BB 110T 6654A