

9523

A



PUMP ROTATION:
Clockwise
FIRING ORDER:
1-5-3-6-2-4
MOUNTING:
R.H.
SPECIAL FEATURES:
Single Lever Control
Low Idle Screw Capsule
Single Range Intransance*

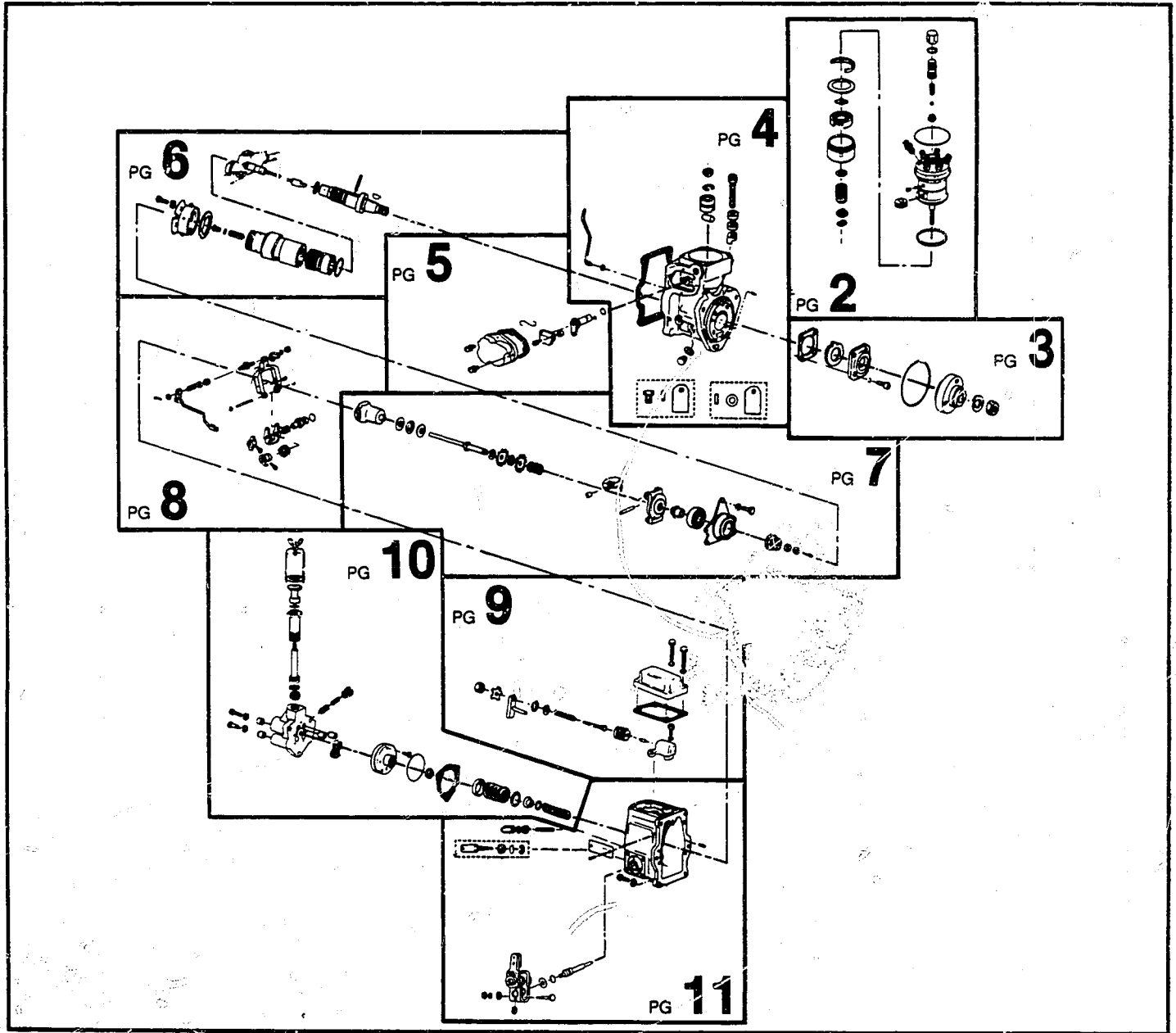
ALLIS-CHALMERS
100 6A 100A 9523A

Special Information:

SERVICE PARTS

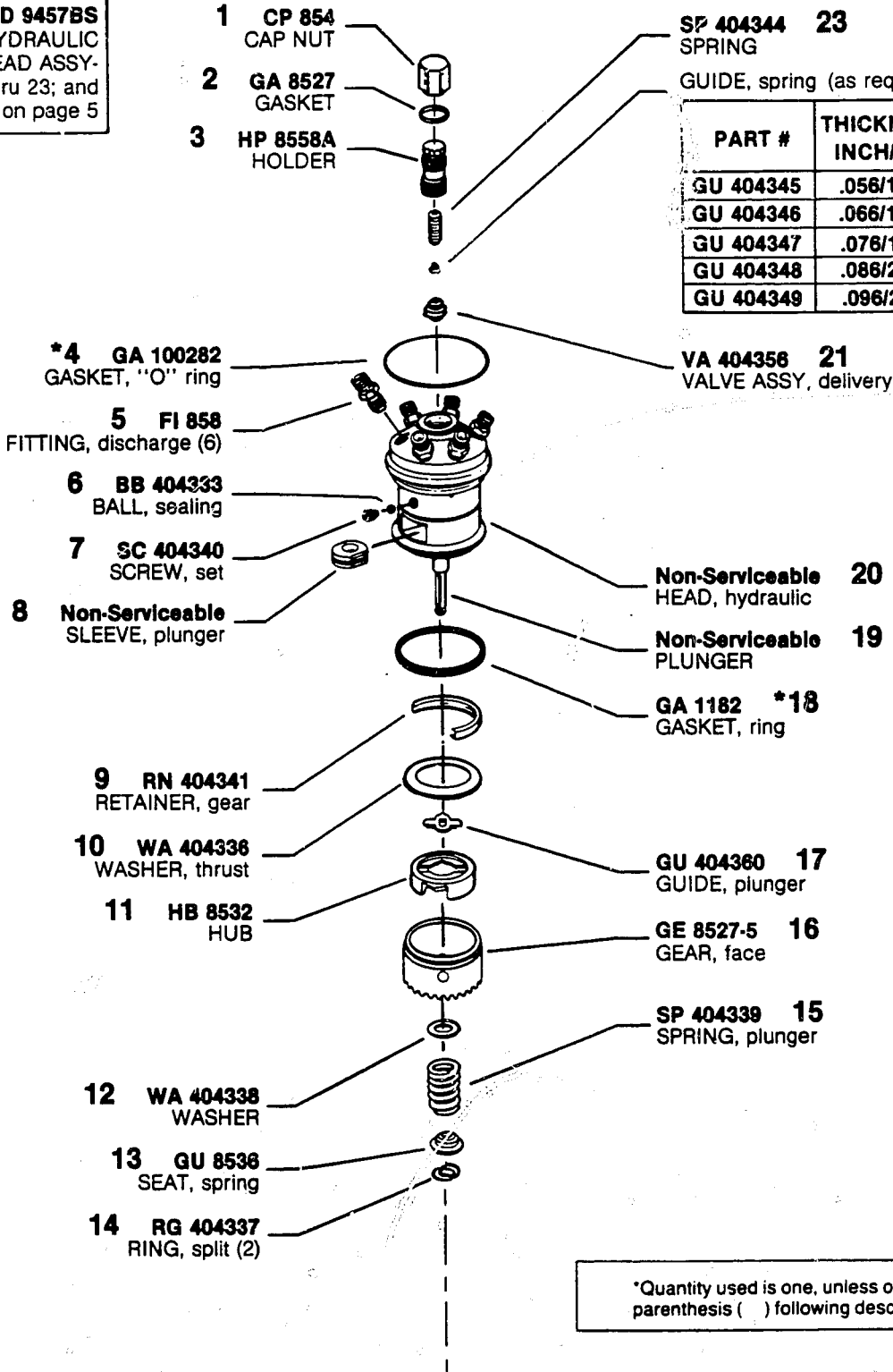
Following are all parts, part numbers, pump codes and calibrations for the Model: 100 6A 100A 9523A. The exploded view drawing below is detailed with part numbers

listed on the pages indicated. Refer to the Index Section for explanations of codes and abbreviations.



MODEL 100 6A 100A 9523A

ASSY HD 9457BS
HYDRAULIC
HEAD ASSY-
 including 1 thru 23; and
 9 on page 5



*Quantity used is one, unless otherwise indicated in parenthesis () following description of part.

*Denotes parts in Gasket Kit. KT 404126.

MODEL 100 6A 100A 9523A

1 SHIM (as required)

PART #	THICKNESS INCH/MM
SR 8512-1	.004/.102
SR 8512-2	.008/.203
SR 8512-3	.002/.051

GA 404672 9*
GASKET, mounting

2 WA 404671
WASHER, thrust

3 PL 8599
PLATE, retaining

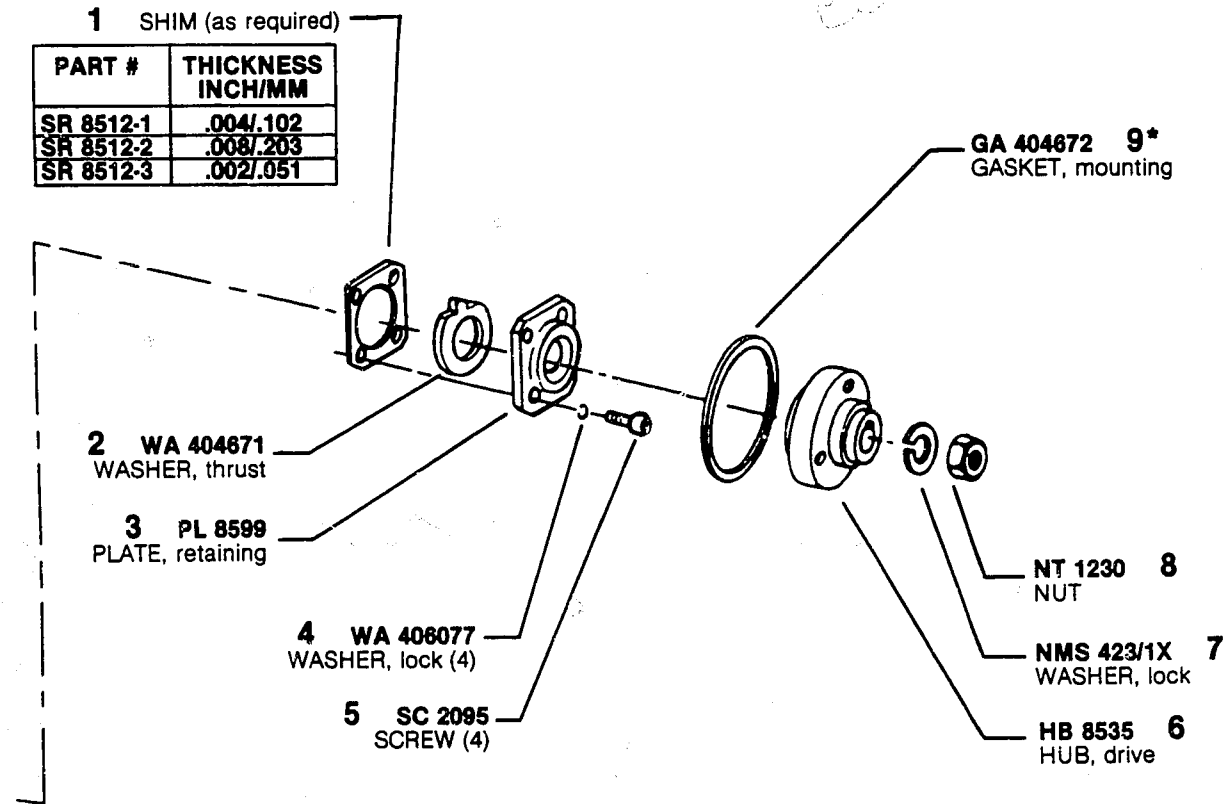
4 WA 406077
WASHER, lock (4)

5 SC 2095
SCREW (4)

NT 1230 8
NUT

NMS 423/1X 7
WASHER, lock

HB 8535 6
HUB, drive

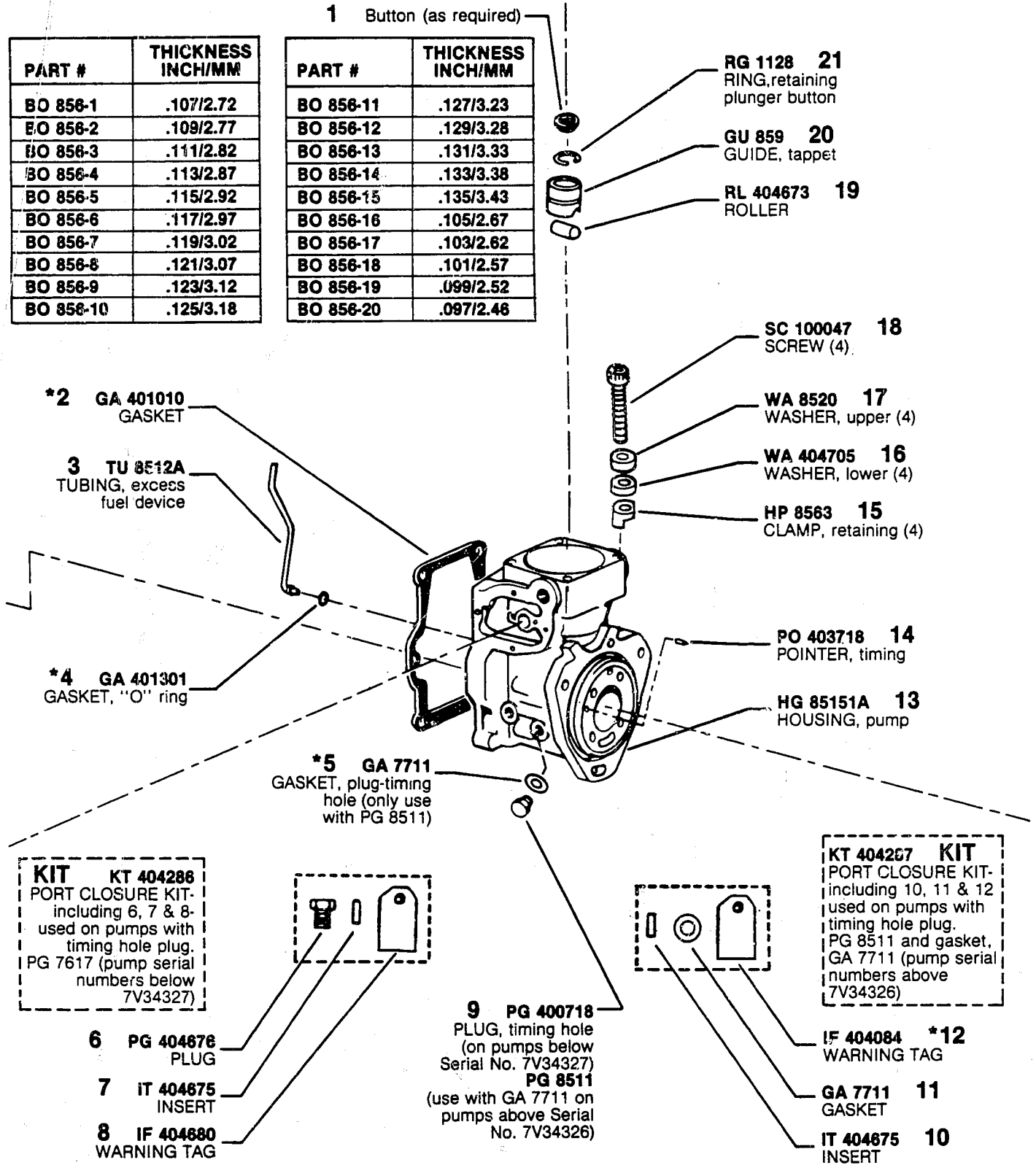


* Denotes parts in Repair Gasket Kit, KT 404126.

MODEL 100 6A 100A 9523A

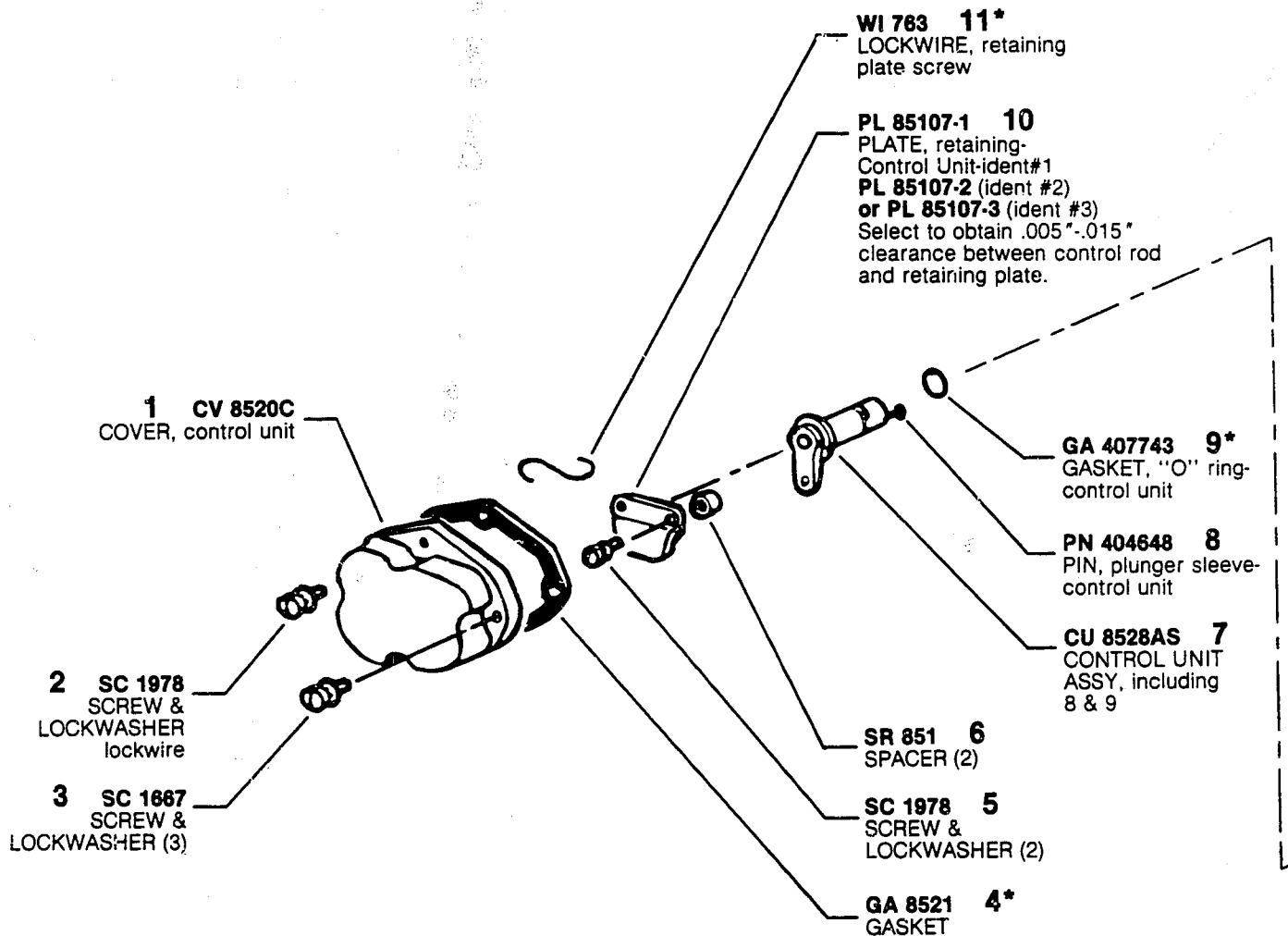
PART #	THICKNESS INCH/MM
BO 856-1	.107/2.72
BO 856-2	.109/2.77
BO 856-3	.111/2.82
BO 856-4	.113/2.87
BO 856-5	.115/2.92
BO 856-6	.117/2.97
BO 856-7	.119/3.02
BO 856-8	.121/3.07
BO 856-9	.123/3.12
BO 856-10	.125/3.18

PART #	THICKNESS INCH/MM
BO 856-11	.127/3.23
BO 856-12	.129/3.28
BO 856-13	.131/3.33
BO 856-14	.133/3.38
BO 856-15	.135/3.43
BO 856-16	.105/2.67
BO 856-17	.103/2.62
BO 856-18	.101/2.57
BO 856-19	.099/2.52
BO 856-20	.097/2.46



*Denotes parts in Gasket Kit. KT 404126. Kit includes gasket (GA 7711) and tag (IF 404084) which are only required when timing hole plug (PG 8511) is used.

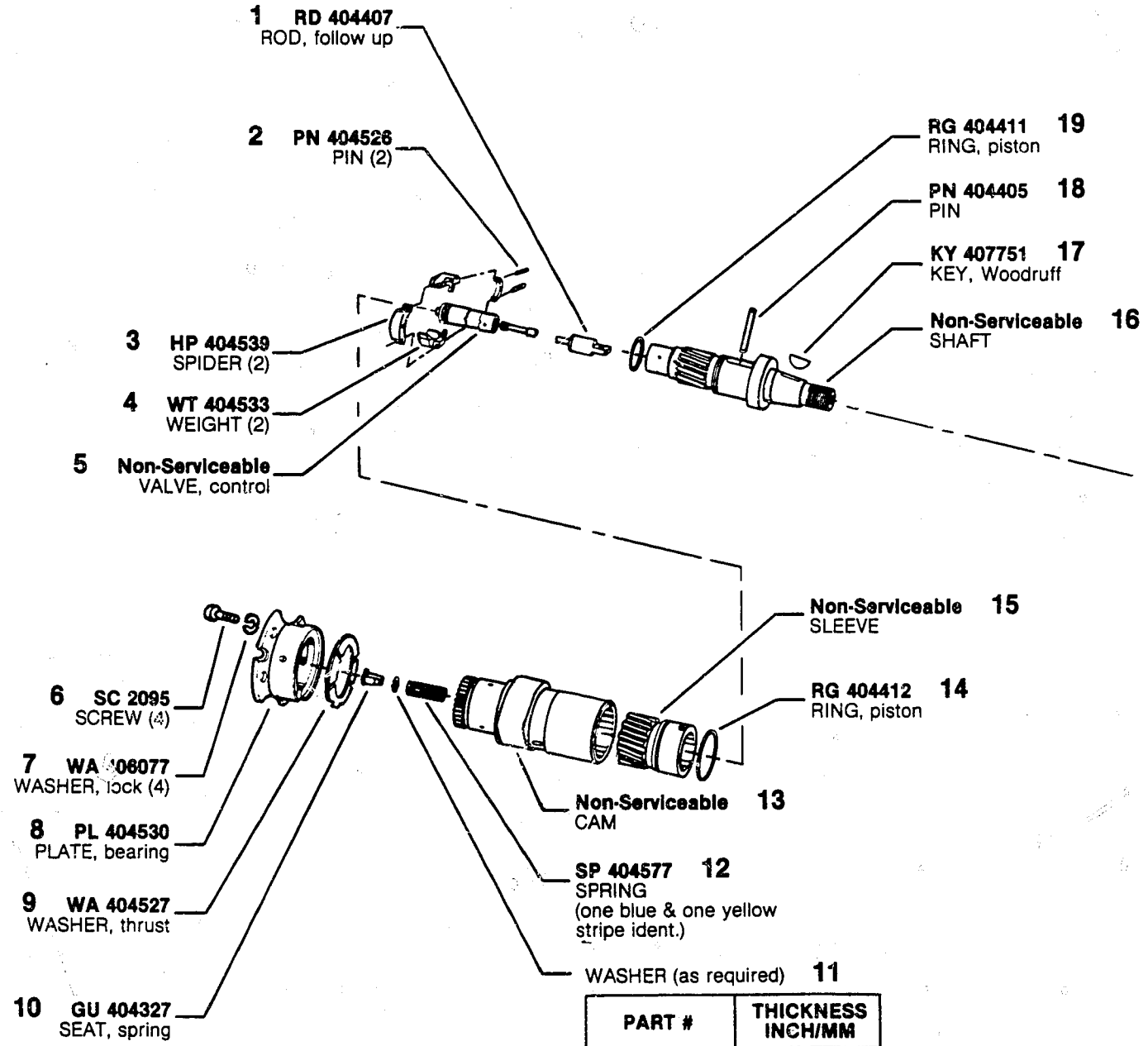
MODEL 100 6A 100A 9523A



*Denotes parts in Repair Gasket Kit, KT 404126.

MODEL 100 6A 100A 9523A

ASSY CT 85118A
INTRAVANCE®
CAMSHAFT ASSY-
 including 1 thru 5,
 8 thru 16, 18 & 19

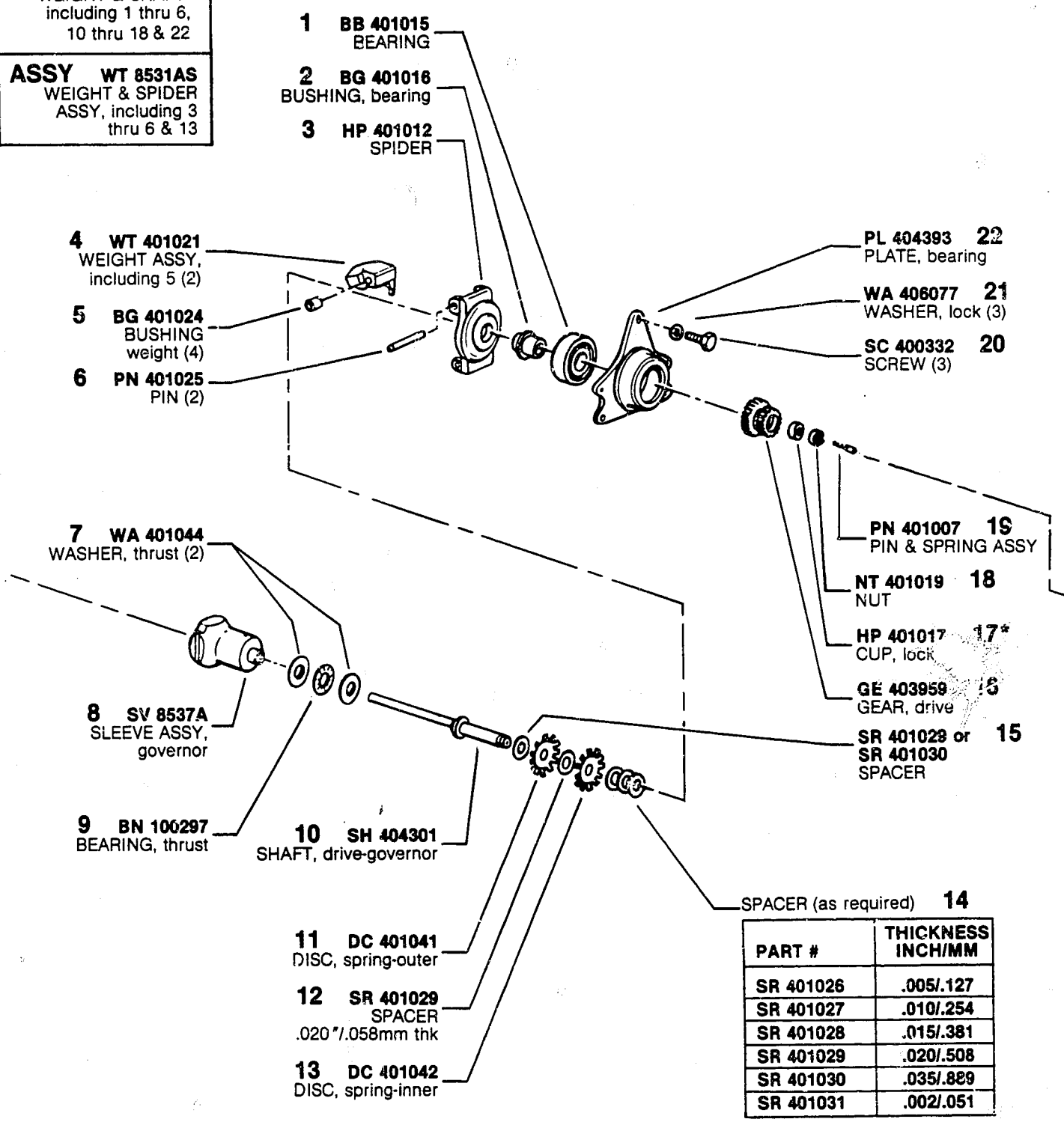


PART #	THICKNESS INCH/MM
WA 404540	.010/.254
WA 404541	.015/.381
WA 404542	.040/1.02
WA 404543	.080/1.52
WA 404544	.004/.102

MODEL 100 6A 100A 9523A

ASSY WT 8535A
WEIGHT & SHAFT-
including 1 thru 6,
10 thru 18 & 22

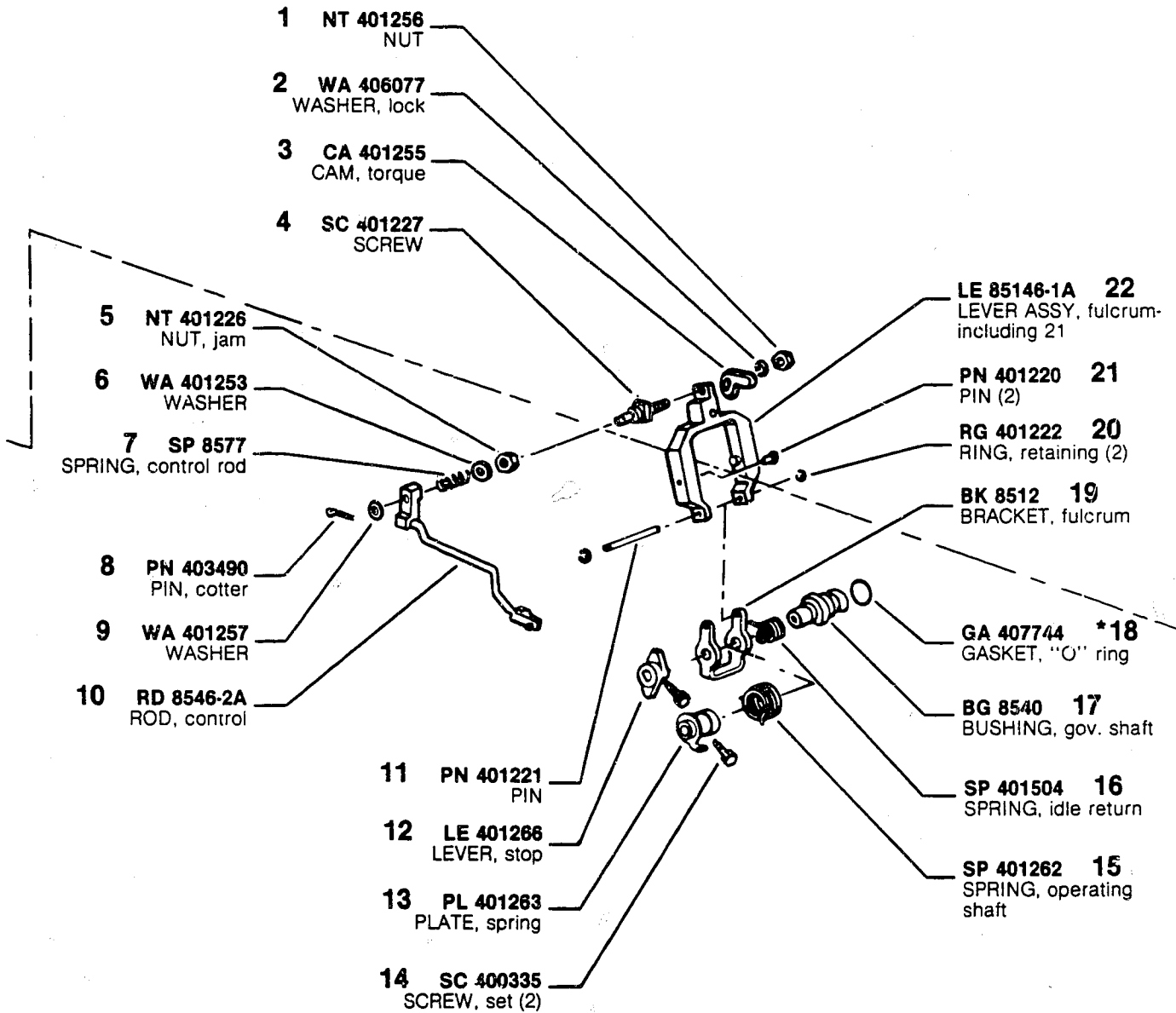
ASSY WT 8531AS
WEIGHT & SPIDER
ASSY, including 3
thru 6 & 13



*Denotes parts in Repair Gasket Kit, KT 404126.

MODEL 100 6A 100A 9523A

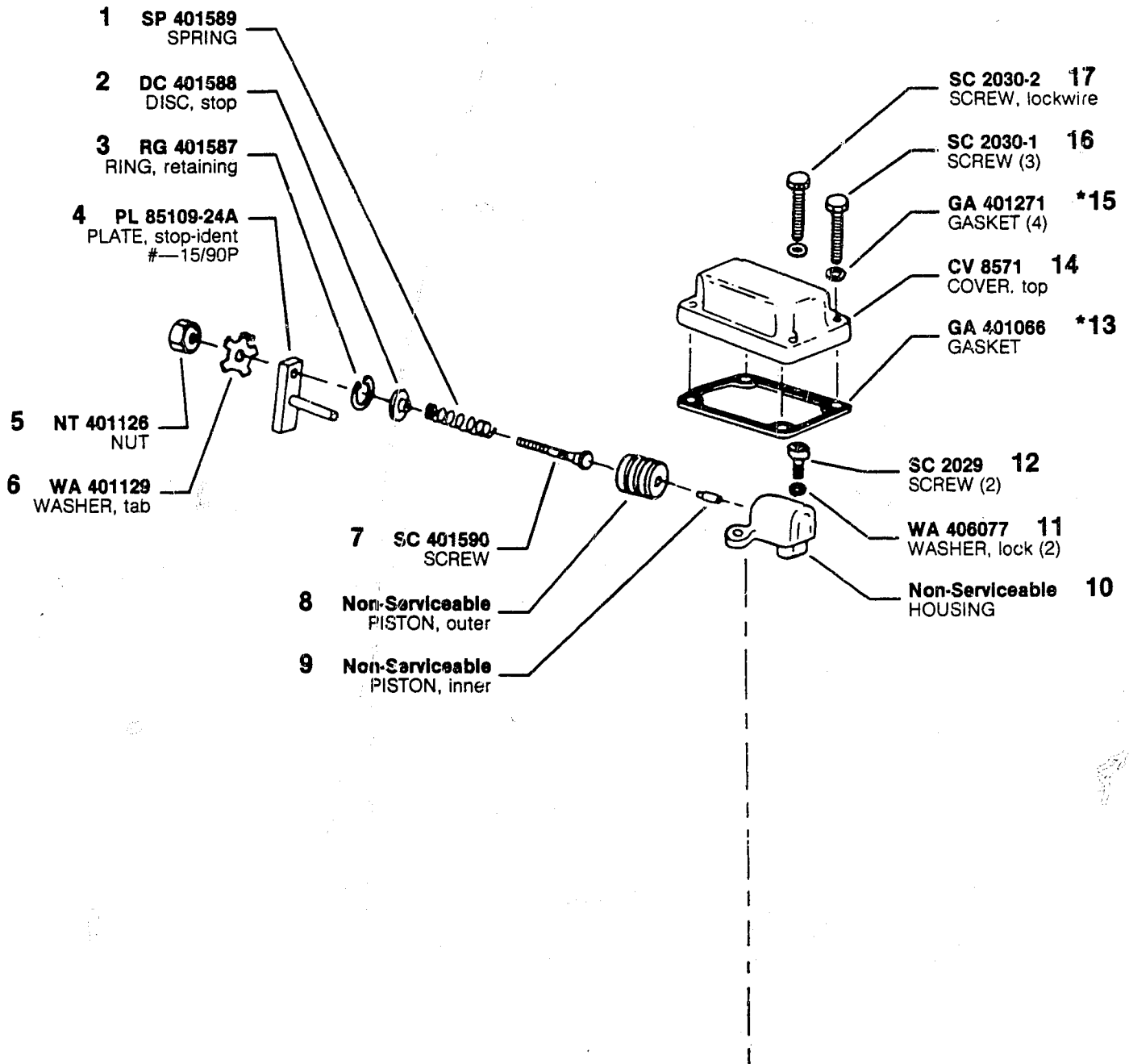
ASSY LE 85176-4A
LEVER & ROD
 fulcrum-including 1
 thru 11 & 19 thru 22



*Denotes parts in Repair Gasket Kit, KT 404126.

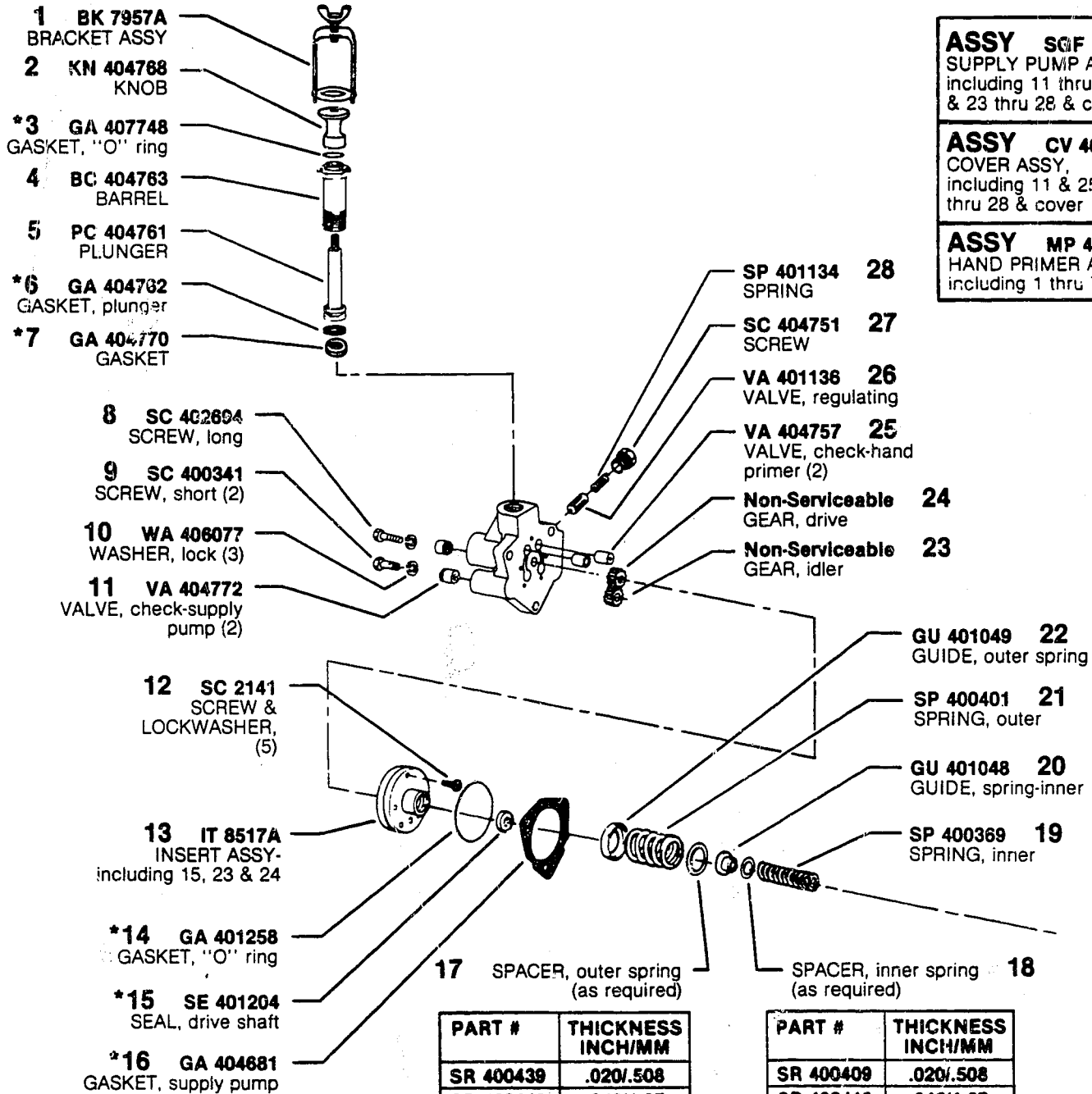
MODEL 100 6A 100A 9523A

ASSY PL 401616
EXCESS FUEL
DEVICE ASSY -
 including 1 thru 3 & 5
 thru 10



*Denotes parts in Repair Gasket Kit, KT 404126.

MODEL 100 6A 100A 9523A



ASSY SCF 15C831
SUPPLY PUMP ASSY-
including 11 thru 16
& 23 thru 28 & cover

ASSY CV 404300
COVER ASSY,
including 11 & 25
thru 28 & cover

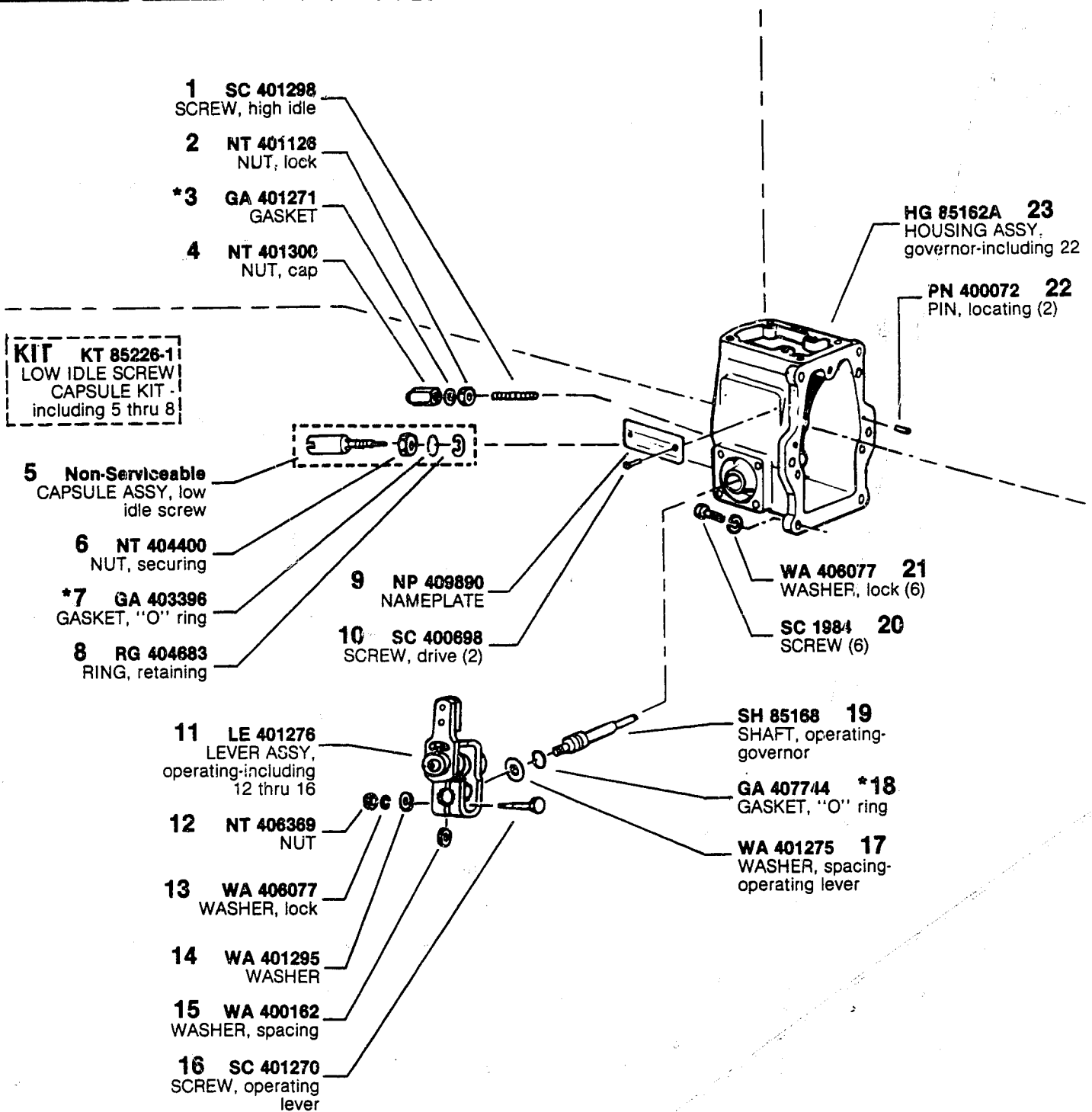
ASSY MP 404760
HAND PRIMER ASSY-
including 1 thru 7

PART #	THICKNESS INCH/MM
SR 400439	.020/.508
SR 400440	.042/1.07
SR 400441	.058/1.47
SR 400442	.083/2.11
SR 400443	.158/3.96
SR 400444	.030/.762
SR 400445	.010/.254

PART #	THICKNESS INCH/MM
SR 400409	.020/.508
SR 400410	.042/1.07
SR 400411	.058/1.47
SR 400412	.083/2.11
SR 400413	.177/4.50
SR 400414	.278/7.01
SR 400415	.010/.254
SR 400416	.005/.127

*Denotes parts in Repair Gasket Kit, KT 404126.

MODEL 100 6A 100A 9523A



*Denotes parts in Repair Gasket Kit, KT 404126.

MODEL 100 6A 100A 9523A

CALIBRATION SET-UP

Calibrating Unit TSE 77107-5
 Supply Pump Pressure 40 psi (276 KPa)
 Min at Full Load (Rated) Speed
 High Pressure Tubing 1/4" OD x 0.062" ID
 x 32" Long
 Calibrating Oil Viscor #1487 @ 100°-105°F
 (38-41°C) at pump inlet
 Intravance® Camshaft Assy CT 85118A
 (Stamped Ident Code: 118)
 Advance 16° Total
 Start 300-500 rpm
 End 1625-1825 rpm

Lube Oil Pressure 55 psi (380 KPa)
 Tubing Nut NT 7935 (pump end);
 WMU 2064/1X (calibrating nozzle end)
 Tubing Sleeve (Ermeto) SV7922 (pump end)
 Tubing Washer WA 7617 (calibrating nozzle end)
 Note: Use orifice fitting, FI 8530A to provide
 back pressure when calibrating; after
 calibration, remove fitting
 Pump Rotation Clockwise
 Firing Order 1-5-3-6-2-4
 PROCEDURE Refer to Service Instructions
 and use figures below

9523A1 DATA

Customer No. 4009651
 Engine Model 649T (125 BHP)
 Application 8010 Tractor
 Governor RPM 875-2300
 Inner Spring Gap 3.0 ± 0.25 mm
 Outer Spring Precompression 0.5-0.75 mm
 Cam Angle (Ref) 65°

Lift to Port Closing Requirement 0.024"-0.030"
 (0.60-0.75 mm)
 Delivery Valve Opening Pressure 1150-1450 psi
 (7.929-9.998 MPa)

STEP	A Full Load	B Peak Torque (from Actual A Delivery)	C Cam Departure	D High Speed Shut-Off
RPM DEL	2300 *29.0	1800 * +4.5	2375 —	2700 2 cc Max
STEP	E Droop Screw	F Low Idle	G Starting Fuel Min Delivery	
RPM DEL	Not applicable	875 *2.0	150 10	

*Permissible tolerances: Service Check: ± 2.5 cc/500 str
 Recalibration: ± 0.5 cc/500 str
 STEP A: Max variation between cyl: 4.0 cc/500 str
 STEP A thru F: cc/500 str
 STEP G: cc/100 str