

**WIRING HARNESS CONNECTIONS**

**CB 679A**

- 1) Prewire actuator electrical connector to match supply voltage. Crimp connect blue and green wires from control unit connector harness to actuator connector as shown in Diagram #1.

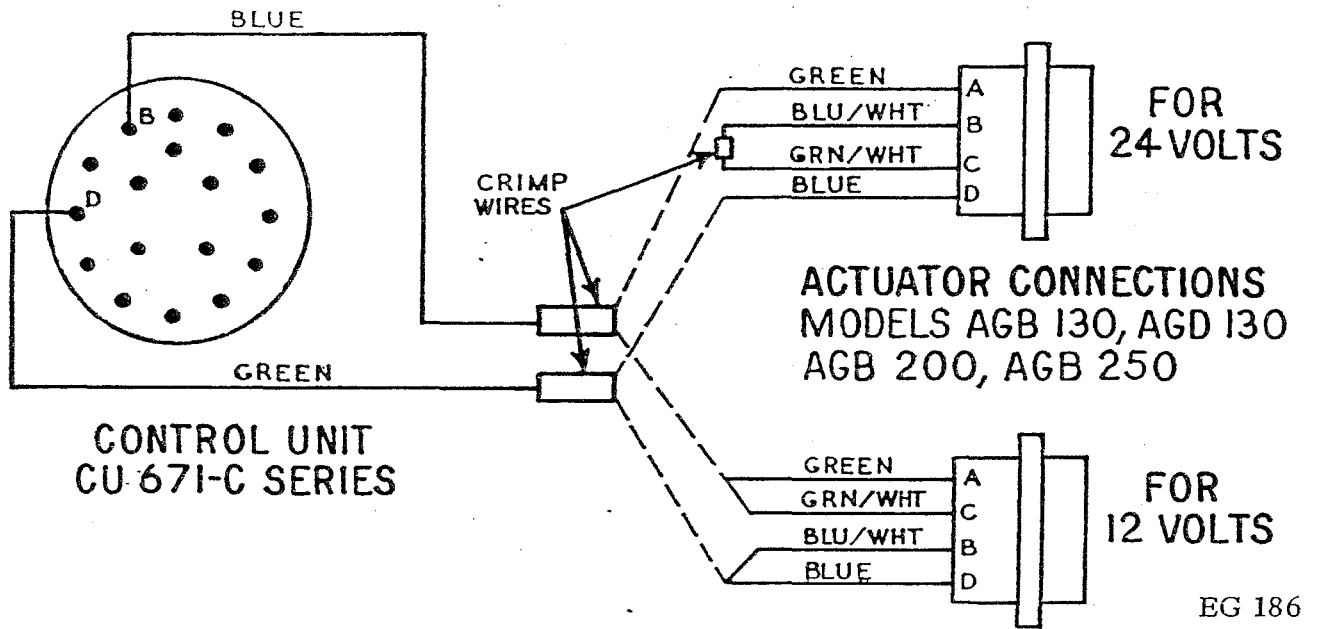


DIAGRAM #1

- 2) Crimp connect pickup wires to control unit harness as shown in Diagram #2.

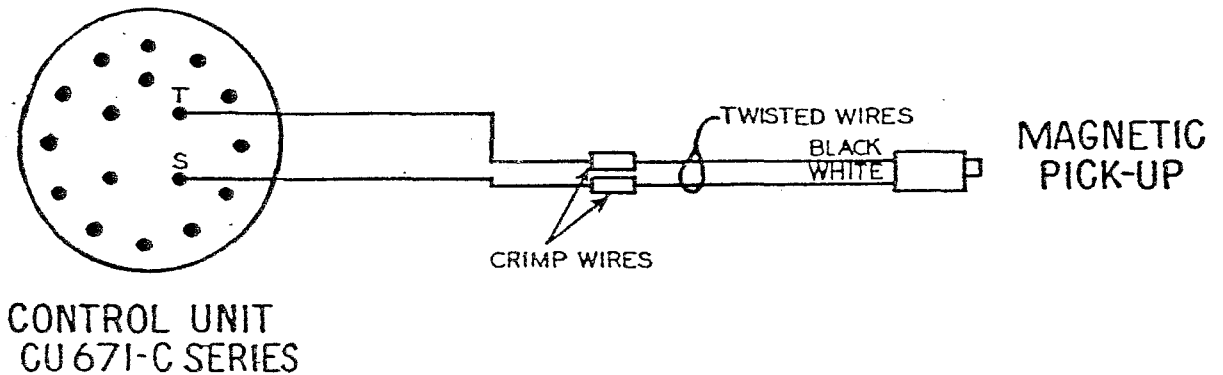


DIAGRAM #2

3) Connect battery leads as shown in Diagram #3 for 12 volt operation only. For 24 volt operation, cut orange lead and tape back to harness.

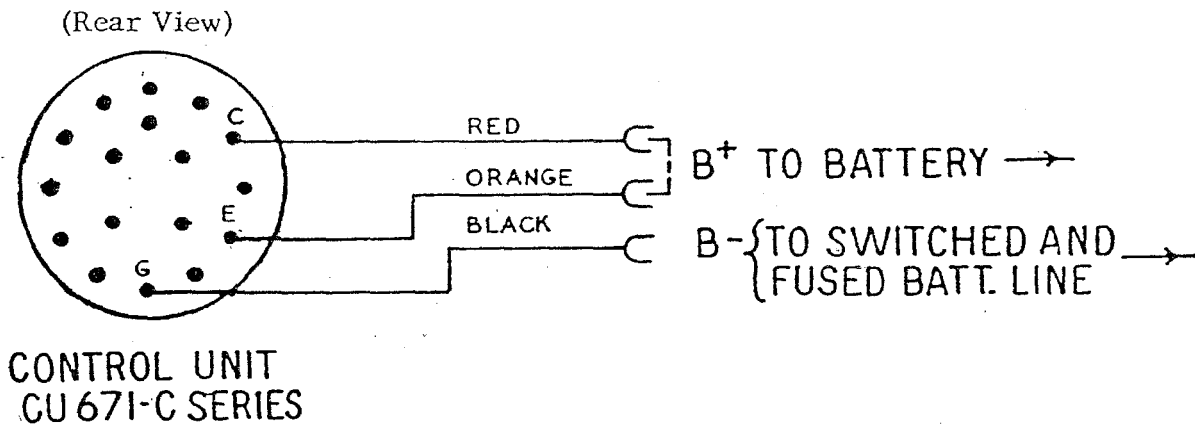


DIAGRAM #3

4) Mount speed trim control potentiometer (CU 6710A) in any convenient location.

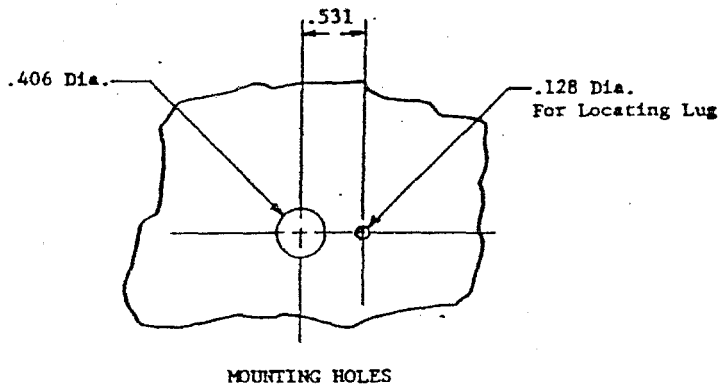


DIAGRAM #4