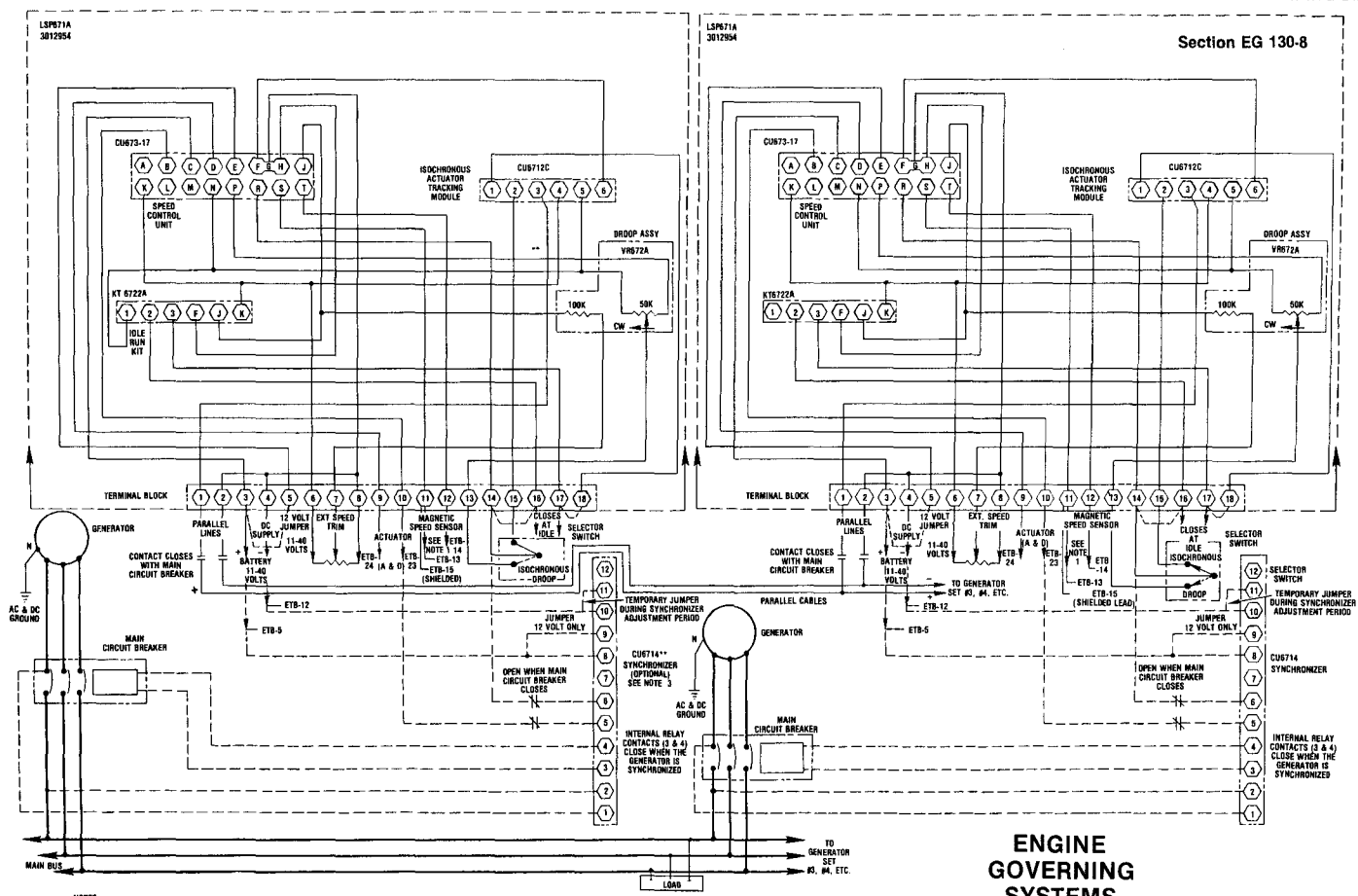


Section EG 130-8



ENGINE GOVERNING SYSTEMS

- NOTES:
1. CONNECT GROUND OF SHIELDED SPEED SENSOR WIRE TO TERMINAL 11 ONLY. DO NOT GROUND WITHIN SPEED SENSOR LEAD
 2. ALL ABOVE TERMINAL BLOCK IS PRE-WIRED. ASSEMBLER TO COMPLETE WIRING PER CUMMINGS DIAGRAMS 212213 & 194076.
 3. OBTAIN FROM UTDS.
 4. A DEAD BUS RELAY MAY BE REQUIRED TO ALLOW THE FIRST UNIT THAT REACHES OPERATING SPEED TO PARALLEL TO THE MAINS AUTOMATICALLY WHEN A SYNCHRONIZER IS USED.
 5. WIRING IS COMPATIBLE WITH CUMMINGS DIAGRAMS 212213 & 194076.

Figure 1. Wiring to LSP671A load sharing panel and CU 6714D synchronizer

