

AKB

V

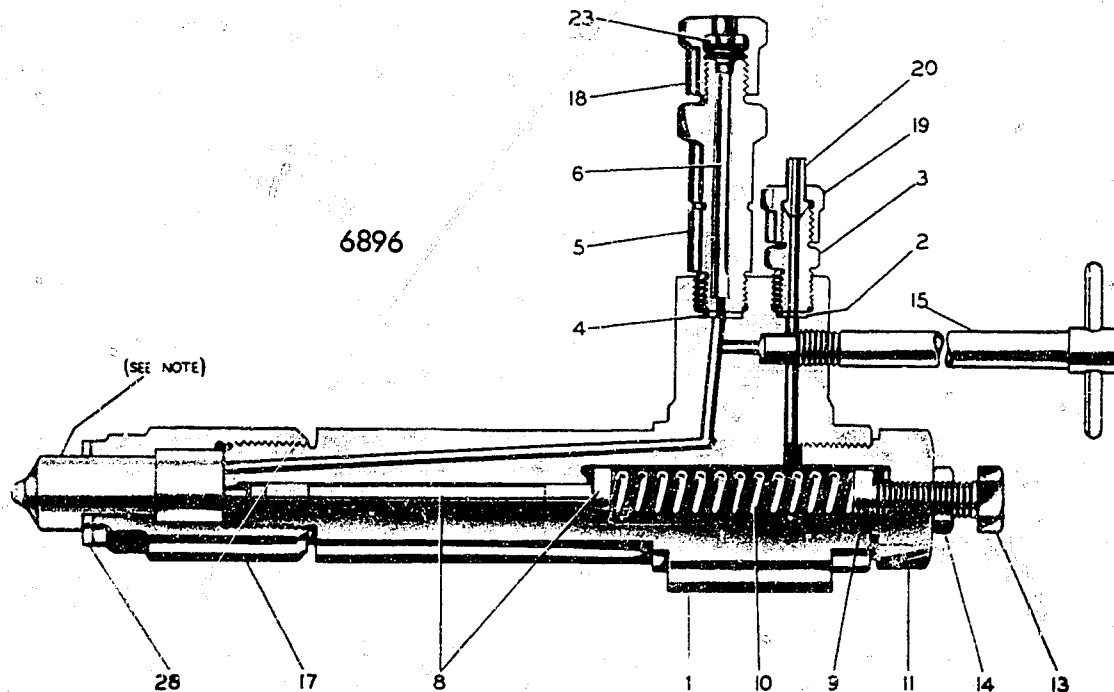
*Supersedes Manual Pages D800
thru D800/3 issued February,
1945 and D800/100 issued
February, 1952*

**AMERICAN BOSCH
SERVICE PARTS LIST
FOR
AKB... V... TYPE
NOZZLE HOLDERS**

SYMBOLS

- | | |
|---------------------------------------|---|
| • - New Part | ** - Not Illustrated |
| † - Discontinued with no replacement. | *** - Not Shown Assembled |
| • - Parts Included in listed kit. | - Text or listing opposite has been revised or changed. |

BASIC PARTS LIST



6896

Illustration Number	Part Number	Quantity Used	Description of Part
1	PDH 34/1X	1	BODY, nozzle holder for AKB 275 V..
1	PDH 19/1X	1	BODY, nozzle holder for AKB 350 V..
1	PDH 12A1X	1	BODY, nozzle holder for AKB 400 V..
2	WMS 2055/2X	1	GASKET, leak-off stud
3	WRV 2024/1X	1	STUD, leak-off
4	WMS 2055/7X	1	GASKET, fuel inlet stud
**A	WRV 2045A1Z	1	STUD ASSEMBLY. Includes parts 5 and 6
5	WRV 2045/1X	1	STUD, fuel inlet (22 mm x 1.5 mm thread on inlet connection)
6	PSI 7A1X	1	FILTER, edge
8	WBO 2116/2Z	1	SPINDLE ASSEMBLY, with lower spring seat for AKB 275 V..
8	WBO 2116/1Z	1	SPINDLE ASSEMBLY, with lower spring seat for AKB 350 V..
8	WBO 2116/400Z	1	SPINDLE ASSEMBLY, with lower spring seat for AKB 400 V..
9	WMS 2145/1X	1	SEAT, upper spring
10	WSF 2098A400X	1	SPRING, pressure adjusting
11	WVU 2067/1X	1	NUT, spring retaining cap
13	WSR 2160/1X	1	SCREW, pressure adjusting
14	NMU 2024/2X	1	LOCKNUT, pressure adjusting screw
15	WSR 2137/1Z	1	SCREW, bleeder
17	WMU 2112/1X	1	NUT, nozzle cap
18	WMU 2103/1X	1	NUT, fuel inlet nipple
19	WMU 2064/1X	1	NUT, leak-off nipple
20	ORV 12/401X	1	NIPPLE, leak-off connection conical
23	WMS 2163/1X	1	WASHER, fuel inlet nipple nut
28	WMR 2041X 401X	1	GASKET, nozzle cap nut, furnished with nozzle or must be ordered separately

NOTE: The nozzle assembly is not furnished with the nozzle holder assembly. When reordering nozzle, always specify type designation stamped on the nozzle body.

AKB 275 V37
AKB 350 V37

V37

Illustration Number	Part Number	Quantity Required	Description of Parts
**A 5	WRV 2056A1Z WRV 2056/1X	1	STUD ASSEMBLY. Includes parts 5 and 6 STUD, fuel inlet (26 mm x 1.5 mm thread on inlet connection)
18	WMU 2111/1X	1	NUT, fuel inlet nipple
23	WMS 1A1X	1	WASHER, fuel inlet nipple nut

ALL OTHER PARTS SAME AS FOR BASIC PARTS LIST, PAGE 2.

AKB 275 V43
AKB 350 V43
AKB 400 V43

V43

ALL PARTS SAME AS BASIC PARTS LIST, PAGE 2

AKB 350 V51 - Gen'l. Machinery engine
AKB 500 V51 - Am. Locomotive 23" x 32" engine

V51

1	PDH 19/400X	1	BODY, nozzle holder for AKB 350 V51
1	HH 787	1	BODY, nozzle holder for AKB 500 V51
**A 5	SD 781A WRV 2056/1X	1	STUD ASSEMBLY. Includes parts 5 and 6 STUD, fuel inlet (26 mm x 1.5 mm thread on inlet connection)
6	PSI 7A400X	1	FILTER, edge
8	WBO 2116/1Z	1	SPINDLE ASSEMBLY, with lower spring seat for AKB 350 V51
8	SL 781A	1	SPINDLE ASSEMBLY, with lower spring seat for AKB 500 V51
17	WMU 2112/400X	1	NUT, nozzle cap
18	WMU 2111/1X	1	NUT, fuel inlet nipple
23	WMS 1A1X	1	WASHER, fuel inlet nipple nut

Omit part 28

Set at 4000 PSI service setting (used spring) or 4400 PSI (new spring)

ALL OTHER PARTS SAME AS FOR BASIC PARTS LIST, PAGE 2

AKB 350 V52 - Nordberg 21" x 29" engine

V52

1	PDH 19/400X	1	BODY, nozzle holder
**A 5	WRV 2056A1Z WRV 2056/1X	1	STUD ASSEMBLY. Includes parts 5 and 6 STUD, fuel inlet (26 mm x 1.5 mm thread on inlet connection)
17	WMU 2112/400X	1	NUT, nozzle cap
18	WMU 2111/1X	1	NUT, fuel inlet nipple
**	PRV 1A6X	1	CONE, fuel inlet straight nipple

Omit part 28

Set at 3750 PSI service setting (used spring) or 4125 PSI (new spring)

ALL OTHER PARTS SAME AS FOR AKB 350 V. . - SEE BASIC PARTS LIST, PAGE 2

V53 AKB 350 V53 - Nordberg 21" x 29" engine

Illustration Number	Part Number	Quantity Required	Description of Parts
1	PDH 19/400X	1	BODY, nozzle holder
**A	SD 787A	1	STUD ASSEMBLY. Includes parts 5 and 6
5	SD 786	1	STUD, fuel inlet (26 mm x 1.5 mm thread on inlet connection)
6	FE 782	1	FILTER, edge
10	WSF 2098A1X	1	SPRING, pressure adjusting
17	WMU 2112/400X	1	NUT, nozzle cap
18	NT 7610	1	NUT, fuel inlet nipple

Omit parts 23 and 28
Set at 3750 PSI service setting (used spring) or 4125 PSI (new spring)

ALL OTHER PARTS SAME AS FOR AKB 350 V. . - SEE BASIC PARTS LIST, PAGE 2

V54 AKB 350 V54 - Nordberg 21" x 29" engine

1	PDH 19/400X	1	BODY, nozzle holder
**A	SD 787A	1	STUD ASSEMBLY. Includes parts 5 and 6
5	SD 786	1	STUD, fuel inlet (26 mm x 1.5 mm thread on inlet connection)
6	FE 782	1	FILTER, edge
10	WSF 2098A1X	1	SPRING, pressure adjusting
17	WMU 2112/400X	1	NUT, nozzle cap
18	WMU 2111/1X	1	NUT, fuel inlet nipple

Omit parts 23 and 28
Set at 3750 PSI service setting (used spring) or 4125 PSI (new spring)

ALL OTHER PARTS SAME AS FOR AKB 350 V. . - SEE BASIC PARTS LIST, PAGE 2

V55 AKB 350 V55 - Nordberg 21" x 29" engine

1	HH 7851	1	BODY, nozzle holder
4	GA 784	1	GASKET, fuel inlet stud
**A	SD 787A	1	STUD ASSEMBLY. Includes parts 5 and 6
5	SD 786	1	STUD, fuel inlet (26 mm x 1.5 mm thread on inlet connection)
6	FE 782	1	FILTER, edge
17	WMU 2112/400X	1	NUT, nozzle cap
18	WMU 2111/1X	1	NUT, fuel inlet nipple

Omit parts 23 and 28
Set at 3750 PSI service setting (used spring) or 4125 PSI (new spring)

ALL OTHER PARTS SAME AS FOR AKB 350 V. . - SEE BASIC PARTS LIST, PAGE 2

V56 AKB 350 V56 - Gen'l. Machinery engine

1	HH 7851	1	BODY, nozzle holder
**A	SD 7810A	1	STUD ASSEMBLY. Includes parts 5 and 6
5	SD 7811	1	STUD, fuel inlet (1"-14 N. F. -3 thread on inlet connection)
6	PSI 7A400X	1	FILTER, edge

(continued)

AKB 350 V56

(Continued) **V56**

Illustration Number	Part Number	Quantity Required	Description of Parts
17	WMU 2112/400X	1	NUT, nozzle cap
18	NT 7816	1	NUT, fuel inlet nipple
	Omit parts 23 and 28		
	Set at 4000 PSI service setting (used spring) or 4400 PSI (new spring)		

ALL OTHER PARTS SAME AS FOR AKB 350 V.. - SEE BASIC PARTS LIST, PAGE 2

AKB 275 V62 - Electric Boat Company

V62

1	PDH 25A1Z	1	BODY, nozzle holder
**A	WRV 2056A1Z	1	STUD ASSEMBLY. Includes parts 5 and 6
5	WRV 2056/1X	1	STUD, fuel inlet (26 mm x 1.5 mm thread on inlet connection)
18	WMU 2111/1X	1	NUT, fuel inlet nipple
**	PRV 1A1X	1	CONE, fuel inlet nipple straight

ALL OTHER PARTS SAME AS FOR AKB 275 V.. - SEE BASIC PARTS LIST, PAGE 2

AKB 350 V63 - Am. Locomotive 17 1/2" x 25" engine

V63

AKB 450 V63 - McIntosh and Seymour engine

1	HH 7851	1	BODY, nozzle holder for AKB 350 V63
1	PDH 33A2X	1	BODY, nozzle holder for AKB 450 V63
**A	WRV 2045A400Z	1	STUD ASSEMBLY. Includes parts 5 and 6
5	WRV 2045/1X	1	STUD, fuel inlet (22 mm x 1.5 mm thread on inlet connection)
6	PSI 7A400X	1	FILTER, edge
8	WBO 2116/1Z	1	SPINDLE ASSEMBLY, with lower spring seat for AKB 350 V63
8	WBO 2116/401Z	1	SPINDLE ASSEMBLY, with lower spring seat for AKB 450 V63
15	WSR 2137/400Z	1	SCREW, bleeder
17	WMU 2112/400X	1	NUT, nozzle cap
	Omit part 28		
	Set at 3600 PSI service setting (used spring) or 3960 PSI (new spring)		

ALL OTHER PARTS SAME AS FOR BASIC PARTS LIST, PAGE 2

AKB 400 V66 - Electric Boat Company

V66

1	PDH 12A2X	1	BODY, nozzle holder
5	WRV 3A1X	1	STUD, fuel inlet (26 mm x 1.5 mm thread on inlet connection)
17	WMU 2112/400X	1	NUT, nozzle cap
18	WMU 2111/1X	1	NUT, fuel inlet nipple
**	PRV 1A1X	1	CONE, fuel inlet nipple straight
	Omit parts 2, 3, **A, 6, 19, 20, 23 and 28		
	Set at 3500 PSI service setting (used spring) or 3850 PSI (new spring)		

ALL OTHER PARTS SAME AS FOR BASIC PARTS LIST, PAGE 2

V67 AKB 350 V67 - Nordberg 21" x 29" engine

<u>Illustration Number</u>	<u>Part Number</u>	<u>Quantity Required</u>	<u>Description of Parts</u>
1	HH 7851	1	BODY, nozzle holder
4	GA 784	1	GASKET, fuel inlet stud
**A	SD 7837A	1	STUD ASSEMBLY. Includes parts 5 and 6
5	SD 786	1	STUD, fuel inlet (22 mm x 1.5 mm thread on inlet connection)
6	FE 786	1	FILTER, edge
17	WMU 2112/400X	1	NUT, nozzle cap
18	WMU 2111/1X	1	NUT, fuel inlet nipple

Omit parts 23 and 28
Set at 3750 PSI service setting (used spring) or 4125 PSI (new spring)

ALL OTHER PARTS SAME AS FOR AKB 350 V.. - SEE BASIC PARTS LIST, PAGE 2

V157 AKB 350 V157
AKB 400 V157

1	PDH 19/400X	1	BODY, nozzle holder for AKB 350 V157
1	PDH 12A2X	1	BODY, nozzle holder for AKB 400 V157
**A	SD 7837A	1	STUD ASSEMBLY. Includes parts 5 and 6
5	SD 786	1	STUD, fuel inlet (26 mm x 1.5 mm thread on inlet connection)
6	FE 786	1	FILTER, edge
17	WMU 2112/400X	1	NUT, nozzle cap
18	WMU 2111/1X	1	NUT, fuel inlet nipple
**	PRV 1A2X	1	CONE, fuel inlet nipple straight

Omit parts 23 and 28
Set at 3500 PSI service setting (used spring) or 3850 PSI (new spring)

ALL OTHER PARTS SAME AS FOR BASIC PARTS LIST, PAGE 2

V164 AKB 350 V164

1	PDH 19/400X	1	BODY, nozzle holder
17	WMU 2112/400X	1	NUT, nozzle cap

Omit part 28

ALL OTHER PARTS SAME AS FOR AKB 350 V.. - SEE BASIC PARTS LIST, PAGE 2

V1834 A&B AKB 350 V1834 A&B - American Locomotive

1	HH 78217A	1	BODY, nozzle holder. Includes part 5
5	SD 7868	1	STUD, fuel inlet
15	SC 7830A	1	SCREW, bleeder
17	WMU 2112/400X	1	NUT, nozzle cap - for AKB 350 V1834A
17	NT 7865	1	NUT, nozzle cap - for AKB 350 V1834B
19	NT 7631	1	NUT, nipple. Must be ordered separately

Omit parts 2, 3, 4, **A, 6, 18, 20 and 23
Set at 3600 PSI service setting (used spring) or 3960 PSI (new spring)

ALL OTHER PARTS SAME AS FOR AKB 350V.. - SEE BASIC PARTS LIST, PAGE 2

AMERICAN BOSCH MARKETING DIVISION

**AMERICAN
BOSCH
ARMA
CORPORATION**

SPRINGFIELD, MASS. 01107

AKB 350 V2098A - American Locomotive

V2098A

Illustration Number	Part Number	Quantity Required	Description of Part
1	HH 78237 A	1	BODY, nozzle holder. Includes part 5
5	SD 7873	1	STUD, fuel inlet
15	WSR 2137/400Z	1	SCREW, bleeder
17	NT 7865	1	NUT, nozzle cap

Omit parts 4, **A and 6
Set at 3600 PSI service setting (used spring) or 3960 PSI (new spring)

ALL OTHER PARTS SAME AS FOR AKB 350 V.. - SEE BASIC PARTS LIST, PAGE 2

AKB 350 V2669 A&B - Baldwin-Lima-Hamilton 21 1/2" x 27 1/2" V2669 A&B

1	HH 7851	1	BODY, nozzle holder - for AKB 350 V2669A
1	HH 78298	1	BODY, nozzle holder - for AKB 350 V2669B
5	SD 7811	1	STUD, fuel inlet
17	WMU 2112/400X	1	NUT, nozzle cap
18	NT 7816	1	NUT, fuel inlet nipple
23	WA 7619-4	1	WASHER, fuel inlet nipple nut

Omit parts **A and 6
Set at 3600 PSI service setting (used spring) or 3960 PSI (new spring)

ALL OTHER PARTS SAME AS FOR AKB 350 V.. - SEE BASIC PARTS LIST, PAGE 2

AKB 350 V3200 A&B - Nordberg 21" x 29" engine

V3200 A&B

1	HH 78293	1	BODY, nozzle holder - for AKB 350V3200A
1	HH 78299	1	BODY, nozzle holder - for AKB 350 V3200B
**A	SD 7893A	1	STUD ASSEMBLY. Includes parts 5 and 6
5	SD 7894	1	STUD, fuel inlet (26 mm x 1.5 mm thread on inlet connection)
6	FE 786	1	FILTER, edge
17	WMU 2112/400X	1	NUT, nozzle cap
18	WMU 2111/1X	1	NUT, fuel inlet nipple

Omit parts 4 and 23
Set at 3750 PSI service setting (used spring) or 4125 PSI (new spring)

ALL OTHER PARTS SAME AS FOR AKB 350 V.. - SEE BASIC PARTS LIST, PAGE 2

AKB 350 V3201 A&B - Nordberg 21" x 29" engine

V3201 A&B

1	HH 78293	1	BODY, nozzle holder - for AKB 350 V3201A
1	HH 78299	1	BODY, nozzle holder - for AKB 350 V3201B
5	SD 7895	1	STUD, fuel inlet
17	WMU 2112/400X	1	NUT, nozzle cap
18	WMU 2111/1X	1	NUT, fuel inlet nipple

Omit parts 4, **A, 6 and 23
Set at 3750 PSI service setting (used spring) or 4125 PSI (new spring)

ALL OTHER PARTS SAME AS FOR AKB 350 V.. - SEE BASIC PARTS LIST, PAGE 2

V3332 A&B AKB 350 V3332 A&B - Nordberg 21" x 29" engine

Illustration Number	Part Number	Quantity Required	Description of Part
1	HH 78298	1	BODY, nozzle holder
4	GA 784	1	GASKET, fuel inlet stud
**A	SD 7837A	1	STUD ASSEMBLY. Includes parts 5 and 6
5	SD 786	1	STUD, fuel inlet (26 mm x 1.5 mm thread)
6	FE 786	1	Filter, edge
17	WMU2112/400X	1	NUT, nozzle cap
18	WMU 2111/1X	1	NUT, fuel inlet nipple
	Omit part 23		
	Set at 3750 PSI service setting (used spring) or 4125 PSI (new spring)		

ALL OTHER PARTS SAME AS FOR AKB 350 V.. - SEE BASIC PARTS LIST, PAGE 2

V3379A AKB 350 V3379A - Baldwin-Lima-Hamilton 21 1/2" x 27 1/2" engine

1	HH 78298	1	BODY, nozzle holder
**A	SD 7810A	1	STUD ASSEMBLY. Includes parts 5 and 6
5	SD 7811	1	STUD, fuel inlet (1"-14 N. F. 3 thread on inlet connection)
6	PSI 7A400X	1	FILTER, edge
17	WMU 2112/400X	1	NUT, nozzle cap
18	NT 7816	1	NUT, fuel inlet nipple
	Omit part 23		
	Set at 4000 PSI service setting (used spring) or 4400 PSI (new spring)		

ALL OTHER PARTS SAME AS FOR AKB 350 V.. - SEE BASIC PARTS LIST, PAGE 2

V3739A AKB 344 V3739A - Nordberg 21" x 29" engine

1	HH 78299	1	BODY, nozzle holder
**A	SD 7893A	1	STUD ASSEMBLY. Includes parts 5 and 6
5	SD 7894	1	STUD, fuel inlet (26 mm x 1.5 mm thread on inlet connection)
6	FE 786	1	FILTER, edge
17	NT 7884	1	NUT, nozzle cap
18	WMU 2111/1X	1	NUT, fuel inlet nipple
	Omit parts 4 and 23		
	Set at 3750 PSI service setting (used spring) or 4125 PSI (new spring)		

ALL OTHER PARTS SAME AS FOR AKB 350 V.. - SEE BASIC PARTS LIST, PAGE 2