

APF

1 D D

Supersedes Manual Sections D205/100 & D205/110, Issued August, 1968

BASIC SERVICE PARTS LISTS
For
AMERICAN BOSCH
APF 1DD . . T . .
FUEL INJECTION PUMPS

SYMBOLS

- | | |
|---------------------------------------|---|
| • - New Part | ** - Not Illustrated |
| † - Discontinued with no replacement. | *** - Not Shown Assembled |
| • - Parts Included in listed kit. | - Text or listing opposite has been revised or changed. |

NO. 1 BASIC PARTS LIST For APF 1DD..T. FUEL INJECTION PUMPS

NOTE: (1) Unless otherwise indicated in parenthesis () following description of part, quantity used is one - applicable to all lists. (2) For explanation of abbreviations, refer to Section D10/20. (3) The first digit of an "Ill. No." identifies the applicable figure; the numbers following the dash (-) refer to the illustrated parts in the figure.

Ill. No.	Part No.	Description	Ill. No.	Part No.	Description
1-1	† HG 76821A	HOUSING ASSY, incl 19 & 25	1-23	NRV 26/1X	UNION, fuel inlet
1-2	WSF 2149A1X	SPRING, dely va	1-24	NRV 13/1X	SCREW, fuel inlet union
1-3	† VA 76159A	VALVE ASSY, dely	1-25	WMR 2041/8X	GASKET, fuel inlet union (2)
1-4	GA 1038	GASKET, dely va hldr	1-26	BG 7643	BUSHING, cntl rack (2)
1-5	See Variation	P & B ASSY	1-27	† RD 76161	RACK, cntl
1-7	SC 76102	SCREW, cntl rack stop	1-28	NP 7659	NAMEPLATE
1-8	SV 7631	SLEEVE, cntl	1-29	SC 150-2	SCREW, dv - np (2)
1-9	GU 7661	SEAT, plngr sp - upr	1-30	GA 76142	GASKET, insptn cv
1-10	SP 7663	SPRING, plngr	1-31	CV 76147	COVER, insptn
1-12	GU 76156	CUP, gu	1-32	SC 1119	SCREW, insptn cv (4)
1-13	GU 7662	SEAT, plngr sp-lwr	1-33	GA 7616	GASKET, insptn cv sc (4)
1-14	RG 7619	RING, split	1-35	CA 76209	GASKET, ba sc (2)
1-15	† NT 7636	NUT, npl	1-36	SC 76136	SCREW, ba (2)
1-16	WA 7619-4	WASHER, npl nut	1-37	WMS 2040/16X	SHIMS, po adjng -.008" thk)
1-17	† NT 7660	NUT, scurng-dely va hldr		WMS 2040/17X	" " " -.012" ")
1-18	† HP 76234	HOLDER, dely va		WMS 2104/3X	" " " -.020" ")A
1-19	PN 7622	PIN, bbl lctng		WMS 2104/5X	" " " -.035" ")R
1-20	GA 7613	GASKET, bldr sc		WMS 2104/4X	" " " -.065" ")
1-21	SC 7698	SCREW, bldr	1-38	PO 767	POINTER, cntl rack
			1-39	NSR 732/17X	SCREW, cntl rack po

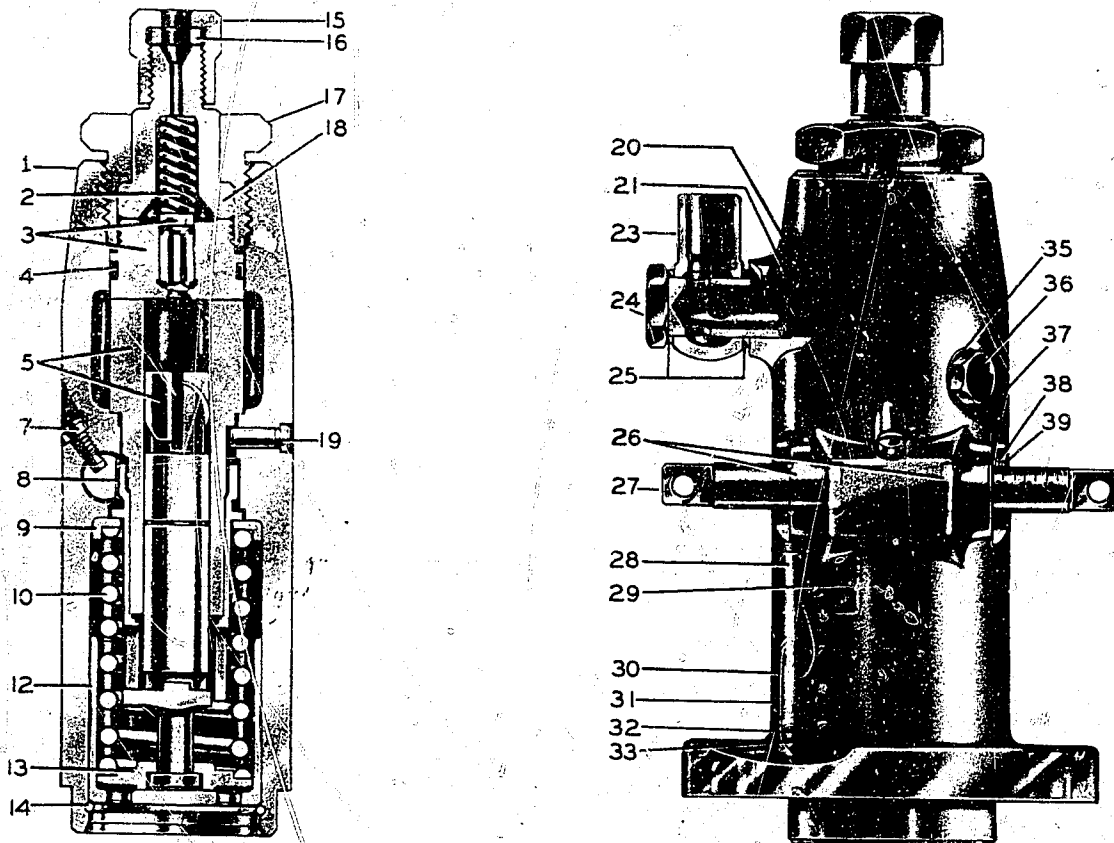


FIGURE 1

NO. 2 BASIC PARTS LIST

For

APF 1DD..T.FUEL INJECTION PUMPS

NOTE: (1) Unless otherwise indicated in parenthesis () following description of part, quantity used is one - applicable to all lists. (2) For explanation of abbreviations refer to Section D10/20. (3) The first digit of an "Ill. No." identifies the applicable figure; the numbers following the dash (-) refer to the illustrated parts in the figure.

Ill. No.	Part No.	Description	Ill. No.	Part No.	Description
2-1	† HG 76833A	HOUSING ASSY, incl 14 & 30	2-39	† AS 762	STOP, plt plngr dely va sp
2-3	GA 1037	GASKET, hg, plt pump	2-40	† WSF 2056/400X	SPRING, plt plngr dely va
2-4	† SC 76137	ADAPTER, difrntl	2-43	NRV 26/1X	UNION, fuel inlet
2-5	GA 1038	GASKET, difrntl ad	2-44	NRV 13/1X	SCREW, retng-fuel inlet union
2-8	CO 764	COUPLING, split-plngr	2-45	WMR 2041/8X	GASKET, fuel inlet union (2)
2-12	See Variation	P & B ASSY	2-46	SC 76136	SCREW, ba
2-13	SC 76102	SCREW, stop	2-47	GA 76209	GASKET, ba sc
2-14	BG 7643	BUSHING, cntl rack (2)	2-49	PO 768	POINTER, cntl rack
2-15	SV 7631	SLEEVE, cntl	2-50	NSR 732/17X	SCREW, cntl rack po
2-16	GU 7648	SEAT, plngr sp - upr	**	WMS 2040/16X	SHIM, po adjng -.008" thk)
2-17	SP 7666	SPRING, plngr		WMS 2040/17X	" " " -.012" ")
2-18	GU 76156	CUP, gu		WMS 2104/3X	" " " -.020" ")A
2-19	GU 7662	SEAT, plngr sp		WMS 2104/5X	" " " -.035" ")R
2-20	RG 7619	RING, split		WMS 2104/4X	" " " -.065" ")
2-22	NT 7656	NUT, npl	2-51	NP 7659	NAMEPLATE
2-23	WMS 2163/1X	WASHER, npl nut	2-52	SC 150-2	SCREW, np (2)
2-24	†	STUD, union	2-54	GA 7616	GASKET, insptn cv sc (4)
2-25	WMR 2041/407X	GASKET, union stud	2-55	SC 1119	SCREW, insptn cv (4)
2-27	† PG 7654	PLUG, sc	2-56	CV 76147	COVER, insptn
2-28	†	GASKET, sc plug	2-57	GA 76142	GASKET, insptn cv
2-30	PN 7622	PIN, bbl lctng	2-59	GA 7613	GASKET, bldr sc
2-32	† NT 7652A	NUT, sp retng-main plngr dely va - incl 33	2-60	SC 7698	SCREW, bldr
2-33	† AS 761	STOP, main plngr dely va sp	2-61	GA 76209	GASKET, ad ftng
2-34	SP 7620	SPRING, main plngr dely va	2-62	FI 7687	FITTING, ad
2-35	GA 76235	GASKET, plngr sp retng nut (2)	2-63	RD 76162	SCREW, cntl
2-36	†	SCREW, clsng	**	†	SCREW, clsng-shank of.plt pump hsg
2-37	†	GASKET, clsng	**	†	GASKET, clsng sc
2-38	† NT 7653A	NUT, sp retng-plt plngr dely va - incl 39			

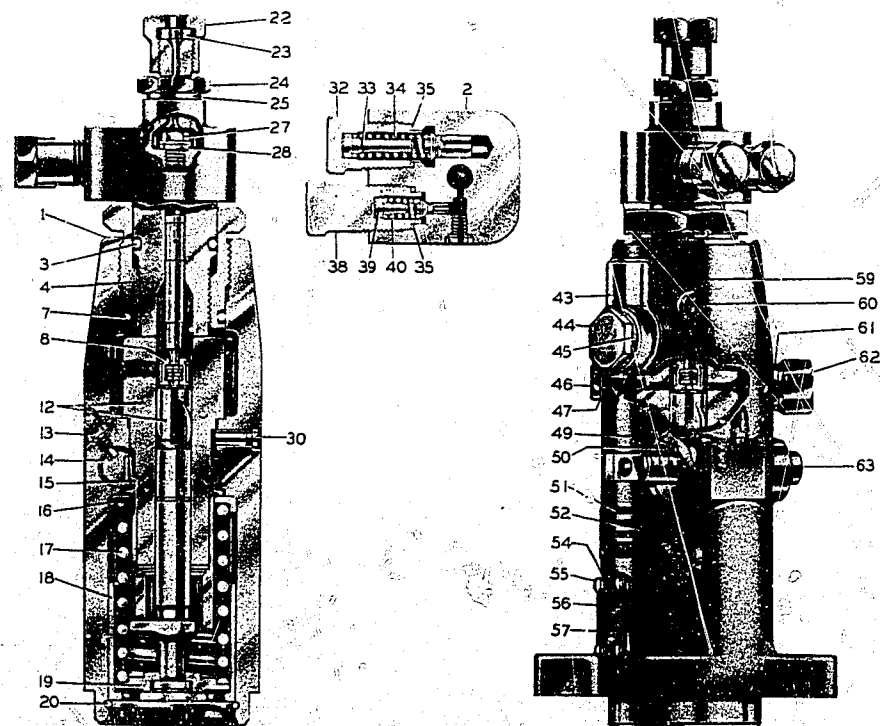


FIGURE 2

D-73

NO. 3 BASIC PARTS LIST

For

APF 1DD.T.FUEL INJECTION PUMPS

NOTE: (1) Unless otherwise indicated in parenthesis () following description of part, quantity used is one - applicable to all lists. (2) For explanation of abbreviations, refer to Section D10/20. (3) The first digit of an "Ill. No." identifies the applicable figure; the numbers following the dash (-) refer to the illustrated parts in the figure.

Ill. No.	Part No.	Description	Ill. No.	Part No.	Description
3-1	† HG 761174A	HOUSING ASSY, incl 43 & 44	3-23	RG 1075	RING (leather)
3-2	RG 7619	RING, split	3-26	FI 7687	FITTING, adapter
3-3	GU 7662	SEAT, plngr sp-lwr	3-27	GA 76209	GASKET, ba & ftng (2)
3-4	GU 76156	CUP, gu	3-30	NP 7659	NAMEPLATE
3-5	GA 7616	GASKET, insptn cv sc (4)	3-31	SC 150-2	SCREW, np (2)
3-6	SC 1119	SCREW, insptn cv (4)	3-32	SC 76136	SCREW, ba
3-7	CV 76147	COVER, insptn	3-33	FI 76112	UNION, fuel inlet
3-8	GA 76142	GASKET, insptn cv	3-34	NRV 13/1X	SCREW, retng fuel inlet union
3-9	SP 7663	SPRING, plngr	3-35	WMR 2041/8X	GASKET, fuel inlet union (2)
3-10	SV 7631	SLEEVE, cntl	3-36	WMS 2040/16X	SHIM, po adjng -.008" thk)
3-11	GU 7661	SEAT, plngr sp - upr		WMS 2040/17X	" " " -.012" ")
3-12	See Variation	P & B ASSY		WMS 2104/3X	" " " -.020" ")A
3-13	CO 764	COUPLING, plngr		WMS 2104/5X	" " " -.035" ")R
3-15	† SR 7636	SPACER, tmng		WMS 2104/4X	" " " -.065" ")
3-16	GA 1092	GASKET, "O" ring	**A	NSR 732/17X	SCREW, cntl rack po
3-17	See Variation	P & B ASSY, plt	**B	PO 768	POINTER, cntl rack
3-18	VA 76210A	VALVE ASSY, dely	3-39	RD 76162	RACK, cntl
3-19	SP 76130	SPRING, dely va	3-40	SC 76102	SCREW, stop
3-20	HP 76320A	HOLDER, dely va	3-41	SP 76123	SPRING, dely va
3-21	† NT 7680	NUT, scurng-dely va hldr	3-42	GU 76127	SEAT, plt dely va
3-22	GA 1089	GASKET, "O" ring	3-43	PN 7622	PIN, bbl lctng
			3-44	BG 7643	BUSHING, cntl rack (2)

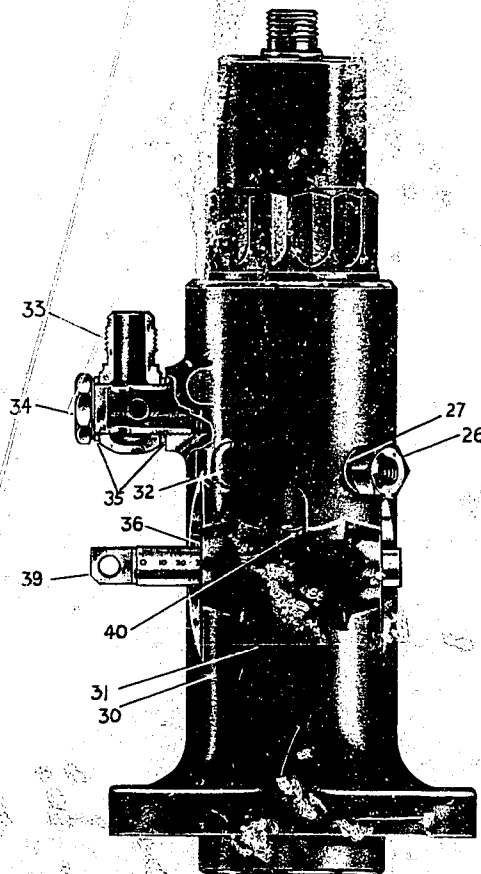
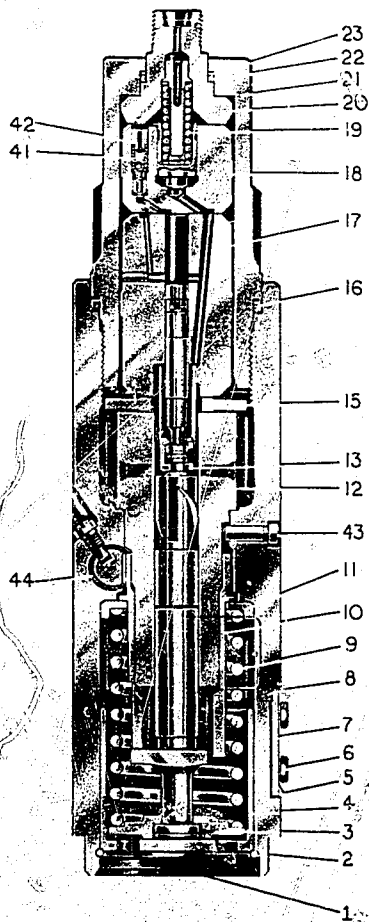


FIGURE 3

D-74

VARIATION PARTS LISTS
For
APF 1DD ... T ... FUEL INJECTION PUMPS

NOTE: (1) Unless otherwise indicated in parenthesis () following description of part, quantity used is one - applicable to all lists. (2) For explanation of abbreviations, refer to Section D10/20. (3) The first digit of an "Ill. No." identifies the applicable figure; the numbers following the dash (-) refer to the illustrated parts in the figure.

APF 1DD 200T 00

APF 1DD 220T 00

APF 1DD 250T 00

APF 1DD 270T 00

APF 1DD 300T 00

Ill. No.	Part No.	Description
1-5	† BC 76154-1A	PLUNGER & BBL ASSY (20mm dia)
	† BC 76154-2A	PLUNGER & BBL ASSY (22mm dia)
	† BC 76154-4A	PLUNGER & BBL ASSY (27mm dia)
	† BC 76154-5A	PLUNGER & BBL ASSY (30mm dia)
	† BC 76154-6A	PLUNGER & BBL ASSY (25mm dia)

Refer to No. 1 Basic Parts List (Section D205/100) for all other service parts.

APF 1DD 220T 2139A & B

APF 1DD 220T 2334A & B

APF 1DD 220T 2413A & B

Worthington 16" x 20" Dual Fuel
(Time for port closing)

Ill. No.	Part No.	Description
2-12	BC 76232-1A	PLUNGER & BBL ASSY

Refer to No. 2 Basic Parts List (Section D205/100) for all other service parts.

APF 1DD 200T 2522A & B

Worthington Model SDDGO (13-1/4" x 17-1/2")
(Time for port closing at maximum rack extension.
Timing mark on inspection window to be 1.526" - 1.538"
(39mm) above bottom face of mounting flange.)

Ill. No.	Part No.	Description
2-1	† HG 76888A	HOUSING ASSY, incl 14 & 30
2-12	† BC 76201-1A	PLUNGER & BBL ASSY
**	† SV 7626	SLEEVE, retng-tmng wa (in top of main bbl)
**	† WA 7634-1	WASHER, tmng (top of main bbl)

Refer to No. 2 Basic Parts List (Section D205/100) for all other service parts.

APF 1DD 220T 2687A & B

APF 1DD 220T 2688A & B

Worthington 16" x 20" Dual Fuel
(Time for port closing)

Ill. No.	Part No.	Description
2-12	BC 76232-1A	PLUNGER & BBL ASSY
2-25	†	GASKET, union stud
**	† BB 1008	BALL, clng sc (for 2687B & 2688B)

Refer to No. 2 Basic Parts List (Section D205/100) for all other service parts.

APF 1DD 220T 2690A

APF 1DD 220T 2691A

Worthington 16" x 20" Dual Fuel
(Time for port closing)

Ill. No.	Part No.	Description
2-12	BC 76232-1A	PLUNGER & BBL ASSY

Refer to No. 2 Basic Parts List (Section D205/100) for all other service parts.

APF 1DD 200T 2692A & B

Worthington Model SDDGO (13-1/4" x 17-1/2")
(Time for port closing at maximum rack extension.
Timing mark on inspection window to be 1.526" - 1.538"
(39mm) above bottom face of mounting flange.)

Ill. No.	Part No.	Description
2-1	† HG 76888A	HOUSING ASSY, incl 14 & 30
2-12	† BC 76201-1A	PLUNGER & BBL ASSY
**	† SV 7626	SLEEVE, retng-tmng wa (in top of main bbl)
**	† WA 7634-1	WASHER, tmng (top of main bbl)

Refer to No. 2 Basic Parts List (Section D205/100) for all other service parts.

APF 1DD 220T 2693A & B

Worthington 16" x 20" Dual Fuel
(Time for port closing)

Ill. No.	Part No.	Description
2-12	BC 76232-1A	PLUNGER & BBL ASSY
2-25	†	GASKET, union stud
**	† BB 1008	BALL, clng sc (for 2693B)

Refer to No. 2 Basic Parts List (Section D205/100) for all other service parts.

APF 1DD 220T 2694A

Worthington 16" x 20" Dual Fuel
(Time for port closing)

Ill. No.	Part No.	Description
2-12	BC 76232-1A	PLUNGER & BBL ASSY

Refer to No. 2 Basic Parts List (Section D205/100) for all other service parts.

APF 1DD 220T 2732A

Worthington Model SEH - 4(16" x 20")
(Time for port closing at maximum rack extension.
Timing mark on inspection window to be 1.521" - 1.533"
(39mm) above bottom face of mounting flange.)

Ill. No.	Part No.	Description
2-8	+ CO 763	COUPLING, split-plngr
2-12	+ BC 76224-1A	PLUNGER & BBL ASSY
2-23	+ WA 7635	WASHER, npl nut
**	+ SV 7626	SLEEVE, retng-tmng wa (in top of main bbl)
**	+ WA 7634-1	WASHER, tmng (top of main bbl)

Refer to No. 2 Basic Parts List (Section D205/100) for all other service parts.

APF 1DD 220T 2733A

Worthington Model SDDGO (13-1/4" x 17-1/2")
(Time for port closing at 1.181" (30mm) rack extension.
Timing mark on inspection window to be 1.522" - 1.530"
(38.75mm) above bottom face of mounting flange.)

Ill. No.	Part No.	Description
2-12	BC 76232-1A	PLUNGER & BBL ASSY
**	+ SV 7626-1	SLEEVE, retng-tmng wa (in top of main bbl)
**	+ WA 7634-1	WASHER, tmng (top of main bbl)

Refer to No. 2 Basic Parts List (Section D205/100) for all other service parts.

APF 1DD 200T 2751A & B

Worthington Model SDDG (13-1/4" x 17-1/2")
(Time for port closing at maximum rack extension.
Timing mark on inspection window to be 1.526" - 1.538"
(39mm) above bottom face of mounting flange.)

Ill. No.	Part No.	Description
2-1	+ HG 76888A	HOUSING ASSY, incl 14 & 30
2-12	+ BC 76201-1A	PLUNGER & BBL ASSY
2-25	+	GASKET, union stud
**	+ SV 7626	SLEEVE, retng-tmng wa (in top of main BBL)
**	+ WA 7634-1	WASHER, tmng (top of main bbl)
**	+ BB 1008	BALL, clsng sc (for 2751B)

Refer to No. 2 Basic Parts List (Section D205/100) for all other service parts.

APF 1DD 220T 2752A

Worthington Model SEHGO-8 (16" x 20")
(Time for port closing at 1.181" (30mm) rack extension.
Timing mark on inspection window to be 1.522" - 1.530"
(38.75mm) above bottom face of mounting flange.)

Ill. No.	Part No.	Description
2-12	+ BC 76201-2A	PLUNGER & BBL ASSY
2-23	+ WA 7635	WASHER, npl nut
**	+ SV 7626-1	SLEEVE, retng-tmng wa (in top of main bbl)
**	+ WA 7634-14	WASHER, tmng (top of main bbl)

Refer to No. 2 Basic Parts List (Section D205/100) for all other service parts.

APF 1DD 200T 2753A & B

Worthington 16" x 20" Dual Fuel & Model SDRGO
(13-1/4" x 17-1/2")
(Time for port closing at maximum rack extension.
Timing mark on inspection window to be 1.526" x 1.538"
(39mm) above bottom face of mounting flange.)

Ill. No.	Part No.	Description
2-12	+ BC 76201-1A	PLUNGER & BBL ASSY
2-23	+ WA 7635	WASHER, npl nut
**	+ SV 7626-1	SLEEVE, retng-tmng wa (in top of main bbl)
**	+ WA 7634-11	WASHER, tmng (for 2753A) (top of main bbl)
	+ WA 7634-13	WASHER, tmng (for 2753B) (top of main bbl)

Refer to No. 2 Basic Parts List (Section D205/100) for all other service parts.

APF 1DD 250T 2776A

Baldwin-Lima-Hamilton Model 700 (17" x 20")
(Time for port closing. Timing mark on inspection window to be 1.645" - 1.653" (42mm) above bottom face of mounting flange.)

Ill. No.	Part No.	Description
1-1	+ HG 76883A	HOUSING ASSY, incl 19-26
1-3	+ VA 76164A	VALVE ASSY, dely
1-4	GA 1038	GASKET, dely va hldr
1-5	+ BC 76227-4A	PLUNGER & BBL ASSY
1-15	Not A.B.	
1-16	Not A.B.	
1-18	+ HP 76258	HOLDER, dely va
1-27	+ RD 76163	RACK, cntl
1-38	PO 768	POINTER, cntl rack

Refer to No. 1 Basic Parts List (Section D205/100) for all other service parts.

APF 1DD 200T 2932A

Worthington Model SDDGO (13-1/4" x 17-1/2")
(Time for port closing at maximum rack extension.
Timing mark on inspection window to be 1.526" - 1.538"
(39mm) above bottom face of mounting flange.)

Ill. No.	Part No.	Description
2-1	+ HG 76888A	HOUSING, incl 14 & 30
2-12	+ BC 76201-1A	PLUNGER & BBL ASSY
**	+ SV 7626	SLEEVE, retng-tmng wa (in top of main bbl)
**	+ WA 7634-15	WASHER, tmng (top of main bbl)

Refer to No. 2 Basic Parts List (Section D205/100) for all other service parts.

APF 1DD 220T 3004A

Worthington Model SEHGO (16" x 20")
(Time for port closing)

Ill. No.	Part No.	Description
2-12	BC 76232-1A	PLUNGER & BBL ASSY
2-25	† GA 76264	GASKET, union stud
**	† BB 1008	BALL, clsg sc

Refer to No. 2 Basic Parts List (Section D205/100) for all other service parts.

APF 1DD 200T 3008A

Worthington Model EEGO (16" x 20")
(Time for port closing at maximum rack extension.
Timing mark on inspection window to be 1.522" - 1.534"
(38.75mm) above bottom face of mounting flange.)

Ill. No.	Part No.	Description
2-12	† BC 76201-1A	PLUNGER & BBL ASSY
2-25	† GA 76264	GASKET, union stud
**	† BB 1008	BALL, clsg sc

Refer to No. 2 Basic Parts List (Section D205/100) for all other service parts.

APF 1DD 220T 3269A & B

Worthington
(Time for port closing at 1.181" (30mm) rack extension.
Timing mark on inspection window to be 1.522" - 1.530"
(38.75mm) above bottom face of mounting flange.)

Ill. No.	Part No.	Description
2-12	BC 76232-1A	PLUNGER & BBL ASSY
**	† SV 7626-1	SLEEVE, retng-tmng wa (in top of main bbl)
**	† WA 7634-14	WASHER, tmng (top of main bbl)

Refer to No. 2 Basic Parts List (Section D205/100) for all other service parts.

APF 1DD 240T 3287A & B

Worthington Model SEHGO (Supercharged) (16" x 20")
(Time for port closing. Timing mark on inspection window to be 1.549" - 1.557" (39.45mm) above bottom face of mounting flange.)

Ill. No.	Part No.	Description
2-12	† BC 76201-3A	PLUNGER & BBL ASSY (for 3287A)
	† BC 76280A	PLUNGER & BBL ASSY (for 3287B)
2-22	Not A. B.	
2-23	Not A. B.	
2-43	FI 76112	UNION, fuel inlet
**	† SV 7655	SLEEVE, retng-tmng wa (in top of main bbl)
**	† WA 7638-1	WASHER, tmng (top of bbl) (for 3287A)
	† WA 7638-3	WASHER, tmng (top of bbl) (for 3287B)

Refer to No. 2 Basic Parts List (Section D205/100) for all other service parts.

APF 1DD 240T 3545A & B

Worthington Model SEHGO-8 (Supercharged) (16" x 20")
(Time for port closing. Timing mark on inspection window to be 1.549" - 1.557" (39.45mm) above bottom face of mounting flange.)

Ill. No.	Part No.	Description
2-12	+ BC 76269-1A	PLUNGER & BBL ASSY
2-22	Not A. B.	
2-23	Not A. B.	
2-25	† GA 76264	GASKET, union stud (for 3545A)
	GA 76254	GASKET, union stud (for 3545B)
2-43	FI 76112	UNION, fuel inlet

Refer to No. 2 Basic Parts List (Section D205/100) for all other service parts.

APF 1DD 200T 3724 A & B

Worthington Model SDRGO (13-1/4" x 17-1/2")
(Time for port closing at maximum rack extension.
Timing mark on inspection window to be 1.526" - 1.538"
(39mm) above bottom face of mounting flange.)

Ill. No.	Part No.	Description
2-12	† BC 76201-1A	PLUNGER & BBL ASSY
2-23	† WA 7635	WASHER, npl nut
**	† SV 7626	SLEEVE, retng-tmng wa (in top of main bbl)
**	† WA 7645-3	WASHER, tmng (top of bbl)

Refer to No. 2 Basic Parts List (Section D205/100) for all other service parts.

APF 1DD 240T 3818 A

Worthington Model SEH - 8 (16" x 20")
(Time for port closing)

Ill. No.	Part No.	Description
1-5	BC 76154-3A	PLUNGER & BBL ASSY
1-15	Not A. B.	
1-16	Not A. B.	
1-18	HP 76298	HOLDER, dely va
1-23	FI 76112	UNION, fuel inlet

Refer to No. 1 Basic Parts List (Section D205/100) for all other service parts.

APF 1DD 220T 4036A

Worthington Model SER (Turbo-charged) (14" x 18")
(Time for port closing. Timing mark on inspection window to be 1.531" x 1.539" (39mm) above bottom face of mounting flange.)

Ill. No.	Part No.	Description
1-1	† HG 76114A	HOUSING ASSY, incl 19 & 26
1-2	† SP 76117	SPRING, dely va
1-3	VA 76195A	VALVE ASSY, dely
1-5	BC 76288-2A	PLUNGER & BBL ASSY
1-15	Not A. B.	
1-16	Not A. B.	
1-18	HP 76298	HOLDER, dely va
1-23	FI 76112	UNION, fuel inlet
1-27	RD 76162	RACK, cntl
1-38	PO 768	POINTER, cntl rack

Refer to No. 1 Basic Parts List (Section D205/100) for all other service parts.

APF 1DD 200T 4193A

Worthington Model SDRGO (13-1/4" x 17-1/2")
(Time for port closing at maximum rack extension.
Timing mark on inspection window to be 1.526" - 1.538"
(39 mm) above bottom face of mounting flange.)

Ill. No.	Part No.	Description
2-12	† BC 76201-1A	PLUNGER & BBL ASSY
2-23	† WA 7635	WASHER, apl nut
**	† SV 7626-1	SLEEVE, retng-tmng wa (in top of main bbl)
**	† WA 7645-2	WASHER, tmng (top of main bbl)

Refer to No. 2 Basic Parts List (Section D205/100) for all other service parts.

APF 1DD 220T 4274A

Worthington Model SWGO-14-12 (14" x 18")
(Time for port closing. Timing mark on inspection window to be 1.524" - 1.528" (38.75mm) above bottom face of mounting flange.)

Ill. No.	Part No.	Description
2-1	† HG 761165A	HOUSING ASSY, incl 14 & 30
2-12	† BC 76201-2A	PLUNGER & BBL ASSY
2-16	GU 7661	GUIDE, plngr sp - upr
2-17	SP 7663	SPRING, plngr
2-22	Not A. B.	
2-23	Not A. B.	
2-32	† NT 7677A	NUT, sp retng-main plngr dely va - incl 33
2-33	† AS 767	STOP, va-main plngr dely va sp
2-34	† SP 76129	SPRING, dely va-main plngr
2-35	GA 76235	GASKET, sp retng nut-pilot plngr dely va
	† GA 76276	GASKET, sp retng nut-main plngr dely va
2-43	FI 76112	UNION, fuel inlet
**	† SV 7626	SLEEVE, retng-tmng wa (in top of main bbl)
**	† WA 7634-11	WASHER, tmng (top of main bbl)

Refer to No. 2 Basic Parts List (Section D205/100) for all other service parts.

APF 1DD 220T 4280A

Worthington Model SER (Turbo-charged) (14" x 18")
(Time for port closing. Timing mark on inspection window to be 1.531" - 1.539" (39mm) above bottom face of mounting flange.)

Ill. No.	Part No.	Description
1-1	† HG 761162A	HOUSING ASSY, incl 19 & 26
1-2	SP 76121	SPRING, dely va
1-3	VA 76204A	VALVE ASSY, dely
1-4	GA 1086	GASKET, "O" ring-dely va
**	RG 1072	RING, back-up-dely va ga
1-5	BC 76288-2A	PLUNGER & BBL ASSY
1-15	Not A. B.	
1-16	Not A. B.	
1-17	NT 7675	NUT, scurng nut - dely va hldr
**	GA 1087	GASKET, scurng nut-dely va hldr
1-18	† HP 76305A	HOLDER, dely va
1-23	FI 76112	UNION, fuel inlet
1-27	RD 76162	RACK, cntl
1-38	PO 768	POINTER, cntl rack

Refer to No. 2 Basic Parts List (Section D205/100) for all other service parts.

APF 1DD 220T 4312A

Worthington Model SEGO-14-12 (14" x 18")
(Time for port closing. Timing mark on inspection window to be 1.516" - 1.524" (38.6mm) above bottom face of mounting flange.)

Ill. No.	Part No.	Description
3-1	† HG 761162A	HOUSING ASSY, incl 43 & 44
3-12	BC 76318-2A	PLUNGER & BBL ASSY
3-15	† SR 7635	SPACER, tmng
3-16	GA 1087	GASKET, "O" ring
3-17	BC 76317-3A	PLUNGER & BBL ASSY, plt
3-20	† HP 76315A	HOLDER, dely va
3-21	† NT 7679	NUT, scurng-dely va hldr
**	SC 7698	SCREW, bldr
**	GA 7613	GASKET, bldr sc

Refer to No. 3 Basic Parts List (Section D205/100) for all other service parts.

APF 1DD 270T 4313A

Cooper Bessemer Model LSV (15-1/2" x 22")
(Time for port closing. Timing mark on inspection window to be 1.551" - 1.559" (39.5mm) above bottom face of mounting flange.)

Ill. No.	Part No.	Description
1-1	† HG 761144A	HOUSING ASSY, incl 19 & 26
1-5	† BC 76154-4A	PLUNGER & BBL ASSY
1-15	Not A. B.	
1-16	Not A. B.	
1-18	HP 76298	HOLDER, dely va
1-23	FI 76112	UNION, fuel inlet
1-27	RD 76162	RACK, control
1-38	PO 768	POINTER, cntl rack

Refer to No. 1 Basic Parts List (Section D205/100) for all other service parts.

APF 1DD 220T 4568A

Worthington Model SWGO-14-12 (14" x 18")
(Time for port closing. Timing mark on inspection window to be 1.524" - 1.528" (38.75mm) above the bottom face of mounting flange.)

Ill. No.	Part No.	Description
2-1	† HG 761165A	HOUSING ASSY, incl 14 & 30
2-12	BC 76232-1A	PLUNGER & BBL ASSY
2-16	GU 7661	SEAT, plngr sp-upr
2-17	SP 7663	SPRING, plngr
2-22	Not A. B.	
2-23	Not A. B.	
2-43	FI 76112	UNION, fuel inlet
**	† SV 7626	SLEEVE, retng-tmng wa (in top of main bbl)
**	† WA 7634-16	WASHER, tmng (top of main bbl)

Refer to No. 2 Basic Parts List (Section D205/100) for all other service parts.

APF 1DD 220T 4599A

Worthington Model SEHGO - 8 (16" x 20")
(Time for port closing at 1.181" (30mm) rack extension.
Timing mark on inspection window to be 1.520" x 1.532"
(38.75mm) above bottom face of mounting flange.)

Ill. No.	Part No.	Description
2-1	† HG 76918A	HOUSING ASSY, incl 14 & 30

Ill. No.	Part No.	Description
2-12 †	BC 76201-2A	PLUNGER & BBL ASSY
2-23 †	WA 7635	WASHER, upl nut
** †	SV 7626-1	SLEEVE, retnng-trmng wa (in top of main bbl)
** †	WA 7634-13	WASHER, tmng (top of main bbl)

Refer to No. 2 Basic Parts List (Section D205/100) for all other service parts.

APF 1DD 220T 4650A

Worthington Model SER (Turbo-charged) (14" x 18")
(Time for port closing. Timing mark on inspection window to be 1.531" - 1.539" (39mm) above bottom face of mounting flange.)

Ill. No.	Part No.	Description
1-1 †	HG 761162A	HOUSING ASSY, incl 19 & 26
1-2	SP 76121	SPRING, dely va
1-3	VA 76204A	VALVE ASSY, dely
1-4	GA 1086	GASKET, "O" ring-dely va
**	RG 1072	RING, back-up - dely va ga
1-5	BC 76288-2A	PLUNGER & BBL ASSY
1-15	Not A. B.	
1-16	Not A. B.	
1-17	NT 7675	NUT, scurng - dely va hldr
**	GA 1087	GASKET, scurng nut
1-18 †	HP 76325A	HOLDER, dely va
1-23	FI 76112	UNION, fuel inlet
1-27	RD 76162	RACK, cntl
1-38	PO 768	POINTER, cntl rack

Refer to No. 1 Basic Parts List (Section D205/100) for all other service parts.

APF 1DD 220T 4651A

Worthington Model SEGO-14-12 (14" x 18")
(Time for port closing. Timing mark on inspection window to be 1.516" - 1.524" (38.6mm) above bottom face of mounting flange.)

Ill. No.	Part No.	Description
3-12	BC 76318-2A	PLUNGER & BBL ASSY
3-17	BC 76317-3A	PLUNGER & BBL ASSY, plt

Refer to No. 3 Basic Parts List (Section D205/100) for all other service parts.

APF 1DD 240T 4652A

Worthington Model SEH (16" x 20")
(Time for port closing. Timing mark on inspection window to be 1.525" - 1.533" (38.85mm) above bottom face of mounting flange.)

Ill. No.	Part No.	Description
3-12	BC 76318-3A	PLUNGER & BBL ASSY
3-17 †	BC 76317-4A	PLUNGER & BBL ASSY, plt

Refer to No. 3 Basic Parts List (Section D205/100) for all other service parts.

APF 1DD 220T 4666 A

APF 1DD 220T 4667A

Worthington SER (Turbo-charged) (14" x 18")
(Time for port closing. Timing mark on inspection window to be 1.531" - 1.539" (39mm) above bottom face of mounting flange.)

Ill. No.	Part No.	Description
1-1 †	HG 761162A	HOUSING ASSY, incl 19 & 26
1-2	SP 76121	SPRING, dely va
1-3 †	VA 76214A	VALVE ASSY, dely
1-4	GA 1086	GASKET, "O" ring-dely va
**	RG 1072	RING, back-up-dely va ga
1-5	BC 76288-2A	PLUNGER & BBL ASSY
1-15	Not A. B.	
1-16	Not A. B.	
1-17	NT 7675	NUT, scurng-dely va hldr
**	GA 1087	GASKET, scurng nut
1-18 †	HP 76305A	HOLDER, dely va (for 4666A)
†	HP 76325A	HOLDER, dely va (for 4667A)
1-23	FI 76112	UNION, fuel inlet
1-27	RD 76162	RACK, cntl
1-38	PO 768	POINTER, cntl rack

Refer to No. 1 Basic Parts List (Section D205/100) for all other service parts.

APF 1DD 220T 4787A

Worthington Model SEHTP (16" x 20")

APF 1DD 220T 4787B

Worthington Model SEHGO (16" x 20")
(Time for port closing at 1.181" (30mm) rack extension. Timing mark on inspection window to be 1.522" - 1.530" (38.75mm) above bottom face of mounting flange.)

Ill. No.	Part No.	Description
3-9	SP 7666	SPRING, plngr
3-11	GU 7648	SEAT, plngr sp - upr
3-12	BC 76232-1A	PLUNGER & BBL ASSY
3-15 †	SR 7637	SPACER, tmng
3-17 †	BC 76346A	PLUNGER & BBL ASSY, plt
3-18	VA 76219A	VALVE ASSY, dely (for 4787A)
	VA 76234A	VALVE ASSY, dely (for 4787B)

Refer to No. 3 Basic Parts List (Section D205/100) for all other service parts.

APF 1DD 220T 4826A

Worthington Model SDDGO (13-1/4" x 17-1/2")
(Time for port closing at 1.181" (30mm) rack extension. Timing mark on inspection window to be 1.522" - 1.530" (38.75mm) above bottom face of mounting flange.)

Ill. No.	Part No.	Description
2-12	BC 76288-2A	PLUNGER & BBL ASSY
** †	VA 76205A	VALVE ASSY, dely
**	SP 76121	SPRING, dely va
**	NT 7676	NUT, scurng-dely va hldr
** †	HP 76336A	HOLDER, dely va

Refer to No. 2 Basic Parts List (Section D205/100) for all other service parts.

APF 1DD 240T 4827A

Worthington Model SEHGO-8 (Supercharged) (16" x 20")
(Time for port closing. Timing mark on inspection window to be 1.549" - 1.557" (39.45mm) above bottom face of mounting flange.)

Ill. No.	Part No.	Description
3-12	BC 76154-3A	PLUNGER & BBL ASSY
3-17	BC 76317-3A	PLUNGER & BBL ASSY, plt
3-43	FI 76112	UNION, fuel inlet
** †	VA 76205A	VALVE ASSY, dely
**	SP 76121	SPRING, dely va
**	NT 7676	NUT, scurng-dely va hldr
** †	HP 76337A	HOLDER, dely va

Refer to No. 2 Basic Parts List (Section D205/100) for all other service parts.

APF 1DD 250T 4981A

General Metals (Enterprise Div.) Model RV (17" x 21")
(Time for port closing. Timing mark on inspection window to be 1.551" - 1.559" (39.5mm) above bottom face of mounting flange.)

Ill. No.	Part No.	Description
1-1	† HG 761191A	HOUSING ASSY, incl 19 & 26
1-2	SP 76121	SPRING, dely va
1-3	See Note	VALVE ASSY, dely
1-4	GA 1086	GASKET, dely va
**	RG 1072	RING, back-up-dely va ga
1-5	BC 76288-6A	PLUNGER & BBL ASSY
1-15	† NT 7685	NUT, tubing union
**	VA 76229A	VALVE ASSY, snbr
1-17	NT 7675	NUT, scurng-dely va hldr
**	GA 1087	GASKET, scurng nut
1-18	HP 76342A	HOLDER, dely va
1-23	Not A. B.	
1-24	Not A. B.	
1-25	Not A. B.	
1-27	RD 76220	RACK, cntl
1-36	FI 7687	FITTING, ad
1-38	PO 768	POINTER, cntl rack

NOTE: The delivery valve assembly required is dependent upon the valve assembly in the pump being serviced. If valve is stamped "204", use VA 76204A. If valve is stamped "252" use VA 76252A.

Refer to No. 1 Basic Parts List (Section D205/100) for all other service parts.

APF 1DD 240T 4995A

Chicago Pneumatic
(Time for port closing. Timing mark on inspection window to be 1.516" - 1.524" (38.6mm) above bottom face of mounting flange.)

Ill. No.	Part No.	Description
3-12	BC 76318-3A	PLUNGER & BBL ASSY
3-15	† SR 7638-2	SPACER, tmng
3-17	BC 76348A	PLUNGER & BBL ASSY, plt
3-33	Not A. B.	
3-34	Not A. B.	
3-35	Not A. B.	

Refer to No. 3 Basic Parts List (Section D205/100) for all other service parts.

APF 1DD 200T 5073A

Worthington Model SW (14" x 16")
(Time for port closing. Timing mark on inspection window to be 1.531" - 1.539" (39mm) above bottom face of mounting flange.)

Ill. No.	Part No.	Description
1-1	† HG 761162A	HOUSING ASSY, incl 19 & 26
1-2	SP 76121	SPRING, dely va
1-3	VA 76204A	VALVE ASSY, dely
1-4	GA 1086	GASKET, "O" ring-dely va
**	RG 1072	RING, back-up-dely va ga
1-5	BC 76288-1A	PLUNGER & BBL ASSY
1-15	NT 7686	NUT, tubing union
**	† VA 76232A	VALVE ASSY, snbr
1-17	NT 7675	NUT, scurng-dely va hldr
**	GA 1087	GASKET, scurng nut
1-18	† HP 76346A	HOLDER, dely va
1-23	FI 76112	UNION, fuel inlet
1-27	RD 76162	RACK, cntl
1-38	PO 768	POINTER, cntl rack

Refer to No. 1 Basic Parts List (Section D205/100) for all other service parts.

APF 1DD 220T 5084A

Worthington Model SEGO-14-12 (14" x 18")
(Time for port closing. Timing mark on inspection window to be 1.516" - 1.524" (38.6mm) above bottom face of mounting flange.)

Ill. No.	Part No.	Description
3-12	BC 76318-2A	PLUNGER & BBL ASSY
3-15	SR 7639	SPACER, tmng
3-17	BC 76317-3A	PLUNGER & BBL ASSY, plt

Refer to No. 3 Basic Parts List (Section D205/100) for all other service parts.

APF 1DD 200T 5113A & B

Worthington Models SDRGO (13-1/2" x 17-1/2") & SW-14-16 (14" x 18")
(Time for port closing. Timing mark on inspection window to be 1.498" - 1.506" (38.15mm) above bottom face of mounting flange.)

Ill. No.	Part No.	Description
3-12	† BC 76371A	PLUNGER & BBL ASSY (for 5113A)
	† BC 76374A	PLUNGER & BBL ASSY (for 5113B)
3-15	SR 7639	SPACER, tmng
3-17	† BC 76373A	PLUNGER & BBL ASSY, plt (for 5113A)
3-18	VA 76234A	VALVE ASSY, dely
3-20	HP 76348A	HOLDER, dely va
**	VA 76229A	VALVE ASSY, snbr
**	NT 7686	NUT, tubing union
**	WA 7619-4	WASHER, tubing union nut

Refer to No. 3 Basic Parts List (Section D205/100) for all other service parts.

APF 1DD 220T 5117A

Worthington Model SEHGO (2 valve) (16" x 20")
(Time for port closing at 1.181" (30mm) rack extension. Timing mark on inspection window to be 1.522" - 1.530" (38.75mm) above bottom face of mounting flange.)

Ill. No.	Part No.	Description
3-9	SP 7666	SPRING, plngr
3-11	GU 7648	SEAT, plngr sp - upr
3-12	BC 76232-1A	PLUNGER & BBL ASSY
3-15	† SR 7640	SPACER, tmng
3-17	† BC 76375A	PLUNGER & BBL ASSY, plt
3-18	VA 76234A	VALVE ASSY, dely
3-20	HP 76348A	HOLDER, dely va
**	VA 76229A	VALVE ASSY, snbr
**	NT 7686	NUT, tubing union
**	WA 7619-4	WASHER, tubing union nut

Refer to No. 3 Basic Parts List (Section D205/100) for all other service parts.

APF 1DD 240T 5132A

Worthington Model SEHGO (4 valve) (16" x 20")
(Time for port closing. Timing mark on inspection window to be 1.525" - 1.533" (38.85mm) above bottom face of mounting flange.)

Ill. No.	Part No.	Description
3-12	BC 76318-3A	PLUNGER & BBL ASSY
3-15	SR 7639	SPACER, tmng
3-17	† BC 76317-4A	PLUNGER & BBL ASSY, plt
3-18	VA 76234A	VALVE ASSY, dely

Ill. No.	Part No.	Description
3-20	HP 76348A	HOLDER, dely va
**	VA 76229A	VALVE ASSY, snbr
**	NT 7686	NUT, tubing union
**	WA 7619-4	WASHER, tubing union nut

Refer to No. 3 Basic Parts List (Section D205/100) for all other service parts.

APF 1DD 200T 5134A1

Worthington Model SDR (13-1/4" x 17-1/2") & SW (14" x 16")
(Time for port closing. Timing mark on inspection window to be 1.531" - 1.539" (39mm) above bottom face of mounting flange.)

Ill. No.	Part No.	Description
1-1	† HG 761162A	HOUSING ASSY, incl 19 & 26
1-2	SP 76121	SPRING, dely va
1-3	† VA 76236A	VALVE ASSY, dely
1-4	GA 1086	GASKET, "O" ring-dely va
**	RG 1072	RING, back-up-dely va ga
1-5	BC 76288-1A	PLUNGER & BBL ASSY
1-15	NT 7686	NUT, tubing union
**	VA 76229A	VALVE ASSY, snbr
1-17	NT 7675	NUT, scurng-dely va hldr
**	GA 1087	GASKET, scurng nut
1-18	† HP 76346A	HOLDER, dely va
1-23	FI 76112	UNION, fuel inlet
1-27	RD 76162	RACK, cntl
1-38	PO 768	POINTER, cntl rack

Refer to No. 1 Basic Parts List (Section D205/100) for all other service parts.

APF 1DD 250T 5628A

General Metals (Enterprise Div.)
(Time for port closing. Timing mark on inspection window to be 1.539" - 1.547" (39.2mm) above bottom face of mounting flange.)

Ill. No.	Part No.	Description
1-1	† HG 761195A	HOUSING ASSY, incl 19 & 26
1-2	SP 76121	SPRING, dely va
1-3	VA 76204A	VALVE ASSY, dely
1-4	GA 1086	GASKET, "O" ring-dely va
**	RG 1072	RING, back-up-dely va ga
1-5	BC 76288-6A	PLUNGER & BBL ASSY
1-15	Not A. B.	
1-16	Not A. B.	
1-17	NT 7675	NUT, scurng-dely va hldr
**	GA 1087	GASKET, scurng nut
1-18	HP 76342A	HOLDER, dely va
1-23	Not A. B.	
1-24	Not A. B.	
1-25	Not A. B.	
1-27	RD 76220	RACK, cntl
1-36	FI 7687	FITTING, ad
1-38	PO 768	POINTER, cntl rack

Refer to No. 1 Basic Parts List (Section D205/100) for all other service parts.

APF 1DD 200T 5667A

Worthington Model SWGO-14 (14" x 18")
(Time for port closing. Timing mark on inspection window to be 1.498" - 1.506" (38.15mm) above bottom face of mounting flange.)

Ill. No.	Part No.	Description
3-12	BC 76374A	PLUNGER & BBL ASSY
3-15	SR 7639	SPACER, tmng
3-17	† BC 76317-5A	PLUNGER & BBL ASSY, plt
3-18	VA 76234A	VALVE ASSY, dely
3-20	HP 76348A	HOLDER, dely va
**	VA 76229A	VALVE ASSY, snbr
**	NT 7686	NUT, tubing union
**	WA 7619-4	WASHER, tubing union nut

Refer to No. 3 Basic Parts List (Section D205/100) for all other service parts.

APF 1DD 240T 5668A

Worthington Model SEHGO (16" x 20")
(Time for port closing. Timing mark on inspection window to be 1.525" - 1.533" (38.85mm) above bottom face of mounting flange.)

Ill. No.	Part No.	Description
3-12	BC 76318-3A	PLUNGER & BBL ASSY
3-15	† SR 7640	SPACER, tmng
3-17	† BC 76317-4A	PLUNGER & BBL ASSY, plt
3-18	VA 76234A	VALVE ASSY, dely
3-20	HP 76348A	HOLDER, dely va
**	VA 76229A	VALVE ASSY, snbr
**	NT 7686	NUT, tubing union
**	WA 7619-4	WASHER, tubing union nut

Refer to No. 3 Basic Parts List (Section D205/100) for all other service parts.

APF 1DD 220T 5686A

Worthington Model SWGO-14 (14" x 18")
(Time for port closing. Timing mark on inspection window to be 1.516" - 1.524" (38.6mm) above bottom face of mounting flange.)

Ill. No.	Part No.	Description
3-12	BC 76318-2A	PLUNGER & BBL ASSY
3-15	SR 7639	SPACER, tmng
3-17	† BC 76317-5A	PLUNGER & BBL ASSY, plt
3-18	VA 76234A	VALVE ASSY, dely
3-20	HP 76348A	HOLDER, dely va
**	VA 76229A	VALVE ASSY, snbr
**	NT 7686	NUT, tubing union
**	WA 7619-4	WASHER, tubing union nut

Refer to No. 3 Basic Parts List (Section D205/100) for all other service parts.

APF 1DD 240T 5711A

APF 1DD 240T 5738A

APF 1DD 250T 5755A

APF 1DD 250T 5756A

General Metals (Enterprise Div.)
(Time for port closing. Timing mark on inspection window to be 1.531" - 1.539" (39mm) above bottom face of mounting flange.)

Ill. No.	Part No.	Description
1-1	† HP 761191A	HOUSING ASSY, incl 19 & 26 (for 5711A & 5755A)
	† HP 761195A	HOUSING ASSY, incl 19 & 26 (for 5738A & 5756A)

Section D205/100V

Ill. No.	Part No.	Description
1-2	SP 76121	SPRING, dely va
1-3	VA 76204A	VALVE ASSY, dely
1-4	GA 1086	GASKET, "O" ring- dely va
**	RG 1072	RING, back-up-dely va ga
1-5	BC 76288-3A	PLUNGER & BBL ASSY, (for 5711A & 5738A)
	† BC 76392A	PLUNGER & BBL ASSY, (for 5755A & 5756A)
1-15	Not A. B.	
1-16	Not A. B.	
1-17	NT 7675	NUT, scurng- dely va hldr
**	GA 1087	GASKET, scurng nut
1-18	HP 76342A	HOLDER, dely va
1-23	Not A. B.	
1-24	Not A. B.	
1-25	Not A. B.	
1-27	RD 76220	RACK, cntl
1-36	FI 7687	FITTING, ad
1-38	PO 768	POINTER, cntl rack

Refer to No. 1 Basic Parts List (Section D205/100) for all other service parts.

APF 1DD 220T 6304A

Worthington Model SEGO-14-12 (24" x 18")
(Time for port closing. Timing mark on inspection window to be 1.516" - 1.525" (38.6mm) above bottom face of mounting flange.)

Ill. No.	Part No.	Description
3-12	BC 76318-2A	PLUNGER & BBL ASSY
3-17	BC 76317-3A	PLUNGER & BBL ASSY, plt
3-20	HP 76348A	HOLDER, dely va
**	VA 76229A	VALVE ASSY, snbr
**	NT 7686	NUT, tubing union
**	WA 7619-4	WASHER, tubing union nut

Refer to No. 3 Basic Parts List (Section D205/100) for all other service parts.

APF 1DD 220T 6318A

Worthington Model SENCO (16" x 20")
(Time for port closing at 1.181" (30mm) rack extension. Timing mark on inspection window to be 1.522" - 1.530" (38.75mm) above bottom face of mounting flange.)

Ill. No.	Part No.	Description
3-1	† HP 761212A	HOUSING ASSY, incl 43 & 44
3-9	SP 7666	SPRING, plngr
3-11	GU 7648	SEAT, plngr sp - upr
3-12	BC 76232-1A	PLUNGER & BBL ASSY
3-15	† SR 7640	SPACER, tmng
3-17	† BC 76375A	PLUNGER & BBL ASSY, plt
3-18	VA 76234A	VALVE ASSY, dely
3-20	HP 76348A	HOLDER, dely va
**	VA 76229A	VALVE ASSY, snbr
**	NT 7686	NUT, tubing union
**	WA 7619-4	WASHER, tubing union nut

Refer to No. 3 Basic Parts List (Section D205/100) for all other service parts.

APF 1DD 240T 6319A

Worthington Model SEHGO (16" x 20")
(Time for port closing. Timing mark on inspection window to be 1.525" - 1.533" (38.85mm) above bottom face of mounting flange.)

Ill. No.	Part No.	Description
3-1	† HG 761212A	HOUSING ASSY, incl 43 & 44
3-12	BC 76318-3A	PLUNGER & BBL ASSY
3-15	SR 7639	SPACER, tmng
3-17	† BC 76317-4A	PLUNGER & BBL ASSY, plt
3-18	VA 76234A	VALVE ASSY, dely
3-20	HP 76348A	HOLDER, dely va
**	VA 76229A	VALVE ASSY, snbr
**	NT 7686	NUT, tubing union
**	WA 7619-4	WASHER, tubing union nut

Refer to No. 3 Basic Parts List (Section D205/100) for all other service parts.

APF 1DD 206T 6323A

Worthington Model SDDGO (13-1/4" x 17-1/2")
(Time for port closing at maximum rack extension. Timing mark on inspection window to be 1.498" - 1.506" (38.15mm) above bottom face of mounting flange.)

Ill. No.	Part No.	Description
3-1	† HG 761213A	HOUSING ASSY, incl 43 & 44
3-12	BC 76374A	PLUNGER & BBL ASSY
2-15	† SR 7645	SPACER, tmng
3-17	† BC 76317-6A	PLUNGER & BBL ASSY, plt
3-18	† VA 76245A	VALVE ASSY, dely
3-20	† HP 76364A	HOLDER, dely va
3-33	NRV 26/1X	UNION, fuel inlet
**	NT 7656	NUT, tubing union
**	WMS 2163/1X	WASHER, tubing union nut

Refer to No. 3 Basic Parts List (Section D205/100) for all other service parts.

APF 1DD 200T 6361A

Worthington Model EEGO-8 (16" x 20")
(Time for port closing at maximum rack position. Timing mark on inspection window to be 1.494" - 1.502" (38.05mm) above bottom face of mounting flange.)

Ill. No.	Part No.	Description
3-1	† HG 761212A	HOUSING ASSY, incl 43 & 44
3-12	BC 76232-2A	PLUNGER & BBL ASSY
3-17	† BC 76317-5A	PLUNGER & BBL ASSY, plt
3-18	† VA 76245A	VALVE ASSY, dely
3-33	NRV 26/1X	UNION, fuel inlet

Refer to No. 3 Basic Parts List (Section D205/100) for all other service parts.

APF 1DD 220T 6409A

Worthington Model SWBGO (14-1/2" x 18")
(Time for port closing. Timing mark on inspection window to be 1.516" - 1.525" (38.6mm) above bottom face of mounting flange.)

Ill. No.	Part No.	Description
3-12	• BC 76318-4A	PLUNGER & BBL ASSY
3-15	SR 7639	SPACER, tmng
3-17	• BC 76404-4A	PLUNGER & BBL ASSY, plt
3-18	VA 76234A	VALVE ASSY, dely
3-20	HP 76348A	HOLDER, dely va
**	VA 76229A	VALVE, snbr
**	NT 7686	NUT, tubing union
**	WA 7619-4	WASHER, tubing union nut

Refer to No. 3 Basic Parts List (Section D205/100) for all other service parts.

APF 1DD 240T 6452A

Worthington Model SWCGO (5-1/4" x 18")
(Time for port closing. Timing mark on inspection window to be 1.516" - 1.525" (38.6mm) above bottom face of mounting flange.)

Ill. No.	Part No.	Description
3-12	BC 76318-3A	PLUNGER & BBL ASSY
3-15	SR 7649	SPACER, tmng
3-17	BC 76317-7A	PLUNGER & BBL ASSY, plt
3-18	VA 76234A	VALVE ASSY, dely
3-20	HP 76369A	HOLDER, dely va
**	VA 76229A	VALVE, snbr
**	NT 7686	NUT, tubing union
**	WA 7619-4	WASHER, tubing union nut

Refer to No. 3 Basic Parts List (Section D205/100) for all other service parts.

APF 1DD 240T 6469A

Worthington Model SEHGO-8 (Supercharged) (16" x 20")
(Time for port closing at maximum rack extension. Timing mark on inspection window to be 1.504" - 1.512" (38.3mm) above bottom face of mounting flange.)

Ill. No.	Part No.	Description
3-1	HG 761224A	HOUSING ASSY, incl 43 & 44
3-12	BC 76318-3A	PLUNGER & BBL ASSY
3-15	SR 7644	SPACER, tmng
3-17	BC 76317-9A	PLUNGER & BBL ASSY, plt
3-18	VA 76234A	VALVE ASSY, dely
3-20	HP 76369A	HOLDER, dely va
**	VA 76229A	VALVE ASSY, snbr
**	NT 7686	NUT, tubing union
**	WA 7619-4	WASHER, tubing union nut

Refer to No. 3 Basic Parts List (Section D205/100) for all other service parts.

APF 1DD 240T 6498A

Worthington Model SWCGO (15-1/4" x 18")
(Time for port closing. Timing mark on inspection window to be 1.516" - 1.525" (38.6mm) above bottom face of mounting flange.)

Ill. No.	Part No.	Description
3-12	BC 76318-3A	PLUNGER & BBL ASSY
3-15	SR 7649	SPACER, tmng
3-17	BC 76317-8A	PLUNGER & BBL ASSY, plt
3-18	VA 76234A	VALVE ASSY, dely
3-20	HP 76369A	HOLDER, dely va
**	VA 76229A	VALVE ASSY, snbr
**	NT 7686	NUT, tubing union
**	WA 7619-4	WASHER, tubing union nut

Refer to No. 3 Basic Parts List (Section D205/100) for all other service parts.

APF 1DD 250T 6536A

De Laval Turbine Model RV (17" x 21")
(Time for port closing. Timing mark on inspection window to be 1.530" - 1.538" (39mm) above bottom face of mounting flange.)

Ill. No.	Part No.	Description
1-1	† HG 761191A	HOUSING ASSY, incl 19 & 26
1-2	SP 76121	SPRING, dely va
1-3	• VA 76252A	VALVE ASSY, dely

Ill. No.	Part No.	Description
1-4	GA 1086	GASKET, "O" ring - dely va
**	RG 1072	RING, back-up - dely va ga
1-5	BC 76288-6A	PLUNGER & BBL ASSY
1-15	Not A.B.	
1-16	Not A.B.	
1-17	NT 7675	NUT, scuring-dely va hldr
**	GA 1087	GASKET, scuring nut
1-18	HP 76342A	HOLDER, dely va
1-23	Not A.B.	
1-24	Not A.B.	
1-25	Not A.B.	
1-27	RD 76220	RACK, cntl
1-36	FI 7687	FITTING, ad
1-38	PO 768	POINTER, cntl rack

Refer to No. 1 Basic Parts List (Section D205/100) for all other service parts.

APF 1DD 200T 6558A

Worthington Model SDRGO (13-1/4" x 17-1/2")
(Time for port closing at maximum rack extension. Timing mark on inspection window to be 1.516" - 1.525" (38.6mm) above bottom face of mounting flange.)

Ill. No.	Part No.	Description
3-1	• HG 761224A	HOUSING ASSY, incl 43 & 44
3-12	BC 76232-2A	PLUNGER & BBL ASSY
3-15	SR 7639	SPACER, tmng
3-17	• BC 76415-2A	PLUNGER & BBL ASSY, plt
3-18	• VA 76263A	VALVE ASSY, dely
3-20	HP 76348A	HOLDER, dely va
**	VA 76229A	VALVE ASSY, snbr
**	NT 7686	NUT, tubing union
**	WA 7619-4	WASHER, tubing union nut

Refer to No. 3 Basic Parts List (Section D205/100) for all other service parts.

APF 1DD 200T 6570A

Worthington Model SUTC GO-8 (16" x 16")
(Time for port closing. Timing mark on inspection window to be 1.498" - 1.506" (38.15mm) above bottom face of mounting flange.)

Ill. No.	Part No.	Description
3-12	BC 76374A	PLUNGER & BBL ASSY
3-17	BC 76317-3A	PLUNGER & BBL ASSY, plt
3-18	VA 76219A	VALVE ASSY, dely
3-20	• HP 76369A	HOLDER, dely va
**	VA 76229A	VALVE ASSY, snbr
**	NT 7686	NUT, tubing union
**	WA 7619-4	WASHER, tubing union nut

Refer to No. 3 Basic Parts List (Section D205/100) for all other service parts.

APF 1DD 240T 6597A

De Laval Turbine
(Time for port closing. Timing mark on inspection window to be 1.530" - 1.538" (39mm) above bottom face of mounting flange.)

Ill. No.	Part No.	Description
1-1	† HG 761191A	HOUSING ASSY, incl 19 & 26
1-2	SP 76121	SPRING, dely va
1-3	• VA 76252A	VALVE ASSY, dely

Section D205/100V

Ill. No.	Part No.	Description
1-4	GA 1086	GASKET, "O" ring - dely va
**	RG 1072	RING, back-up - dely va ga
1-5	BC 76288-3A	PLUNGER & BBL ASSY
1-15	Not A. B.	
1-16	Not A. B.	
1-17	NT 7675	NUT, scurng - dely va hldr
**	GA 1087	GASKET, scurng nut
1-18	HP 76342A	HOLDER, dely va
1-23	Not A. B.	
1-24	Not A. B.	
1-25	Not A. B.	
1-27	RD 76220	RACK, cntl
1-36	FI 7687	FITTING, ad
1-38	PO 768	POINTER, cntl rack

Refer to No. 1 Basic Parts List (Section D205/100V) for all other service parts.