

AMERICAN BOSCH CORPORATION SPRINGFIELD, MASS.

These Pages Supersede Manual Pages D290 to D290d Issued October, 1948

AMERICAN BOSCH



CONTROL RACK STOP ASSEMBLIES

"A" Size Pumps

- EPHV 1/1Z
- BG 7619A
- BG 7673A
- AS 791A
- BG 767A
- BG 7674A

"B" Size Pumps

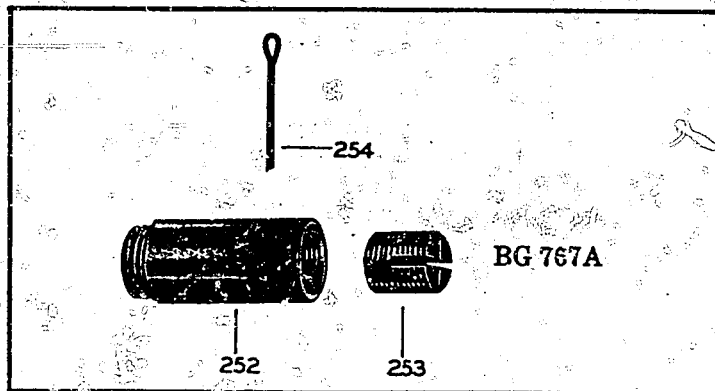
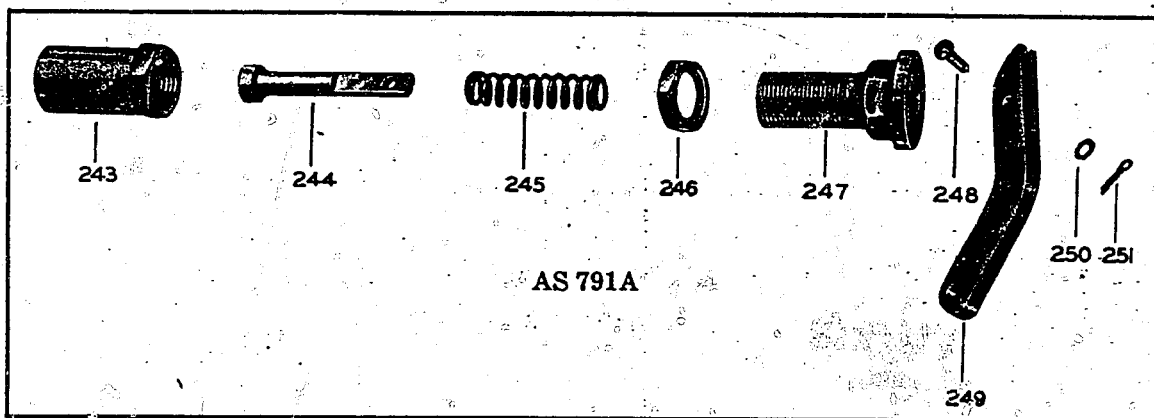
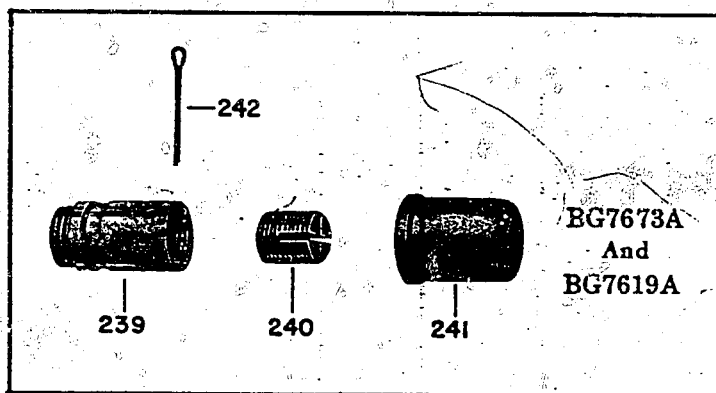
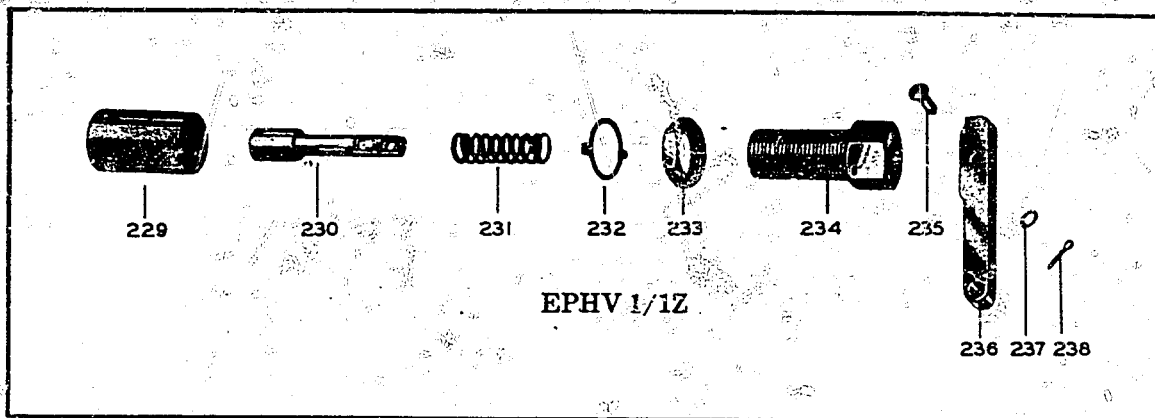
- EPHV 2/1Z
- PMB 11/91Z
- WMB 2103/400Z

SERVICE
OCT 12 1953

ANS.

SERVICE PARTS LIST

absolute - see change # 41, 777A 2/28/53
m.h.
8/24/53



CONTROL RACK STOPS

"A" Size Pumps

EPHV 1/1Z ASSEMBLY*

Illustration Number	Part Number	Quantity Used	Description of Parts
229	EPMB 6/1X	1	BUSHING
230	EPBO 14/1X	1	PLUNGER
231	WSF 2291/4X	1	SPRING, plunger
232	EPMR 5/1X	1	WASHER, lock
233	EPMU 5/1X	1	NUT, lock
234	EPMB 5/1X	1	BUSHING, guide
235	NBO 261/1X	1	PIN, linkage
236	EPHE 10/1X	1	LEVER, operating
237	WMS 2140/24X	1	WASHER, linkage pin
238	PN 1007	1	PIN, cotter

BG 7619A ASSEMBLY*

239	BG 7618	1	BUSHING
240	PSR 10/1X	1	SCREW, adjusting
241	CV 7645	1	COVER, neoprene
242	NSP 4/5X	1	PIN, cotter

BG 7673A ASSEMBLY*

239	BG 7618	1	BUSHING
240	SC 76171	1	SCREW, adjusting
241	CV 7645	1	COVER, neoprene
242	NSP 4/5X	1	PIN, cotter

AS 791A ASSEMBLY*

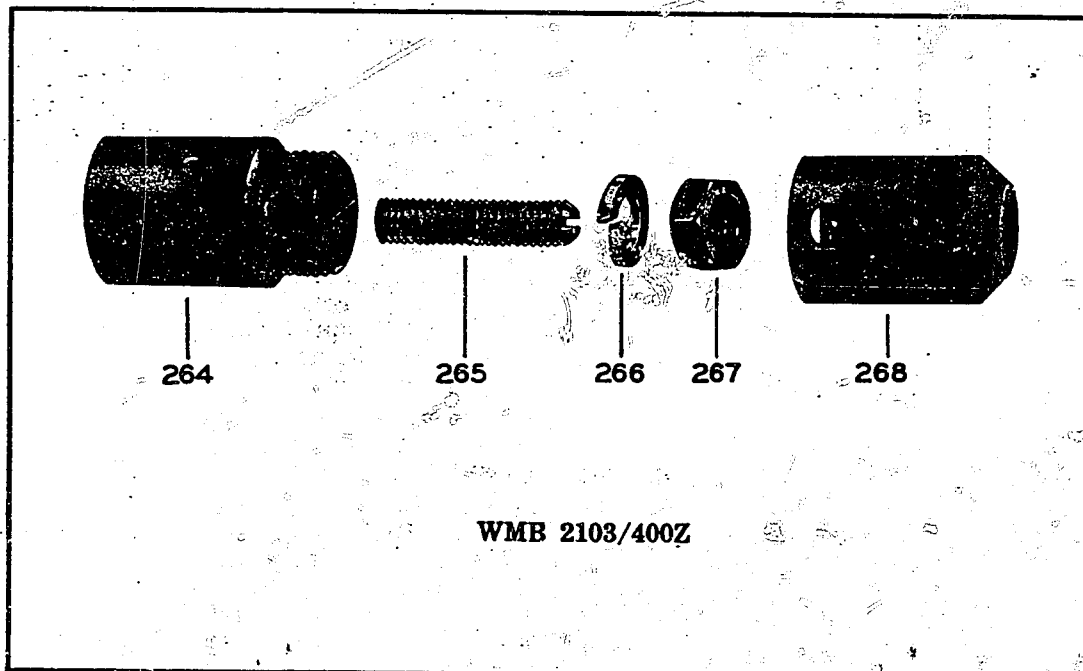
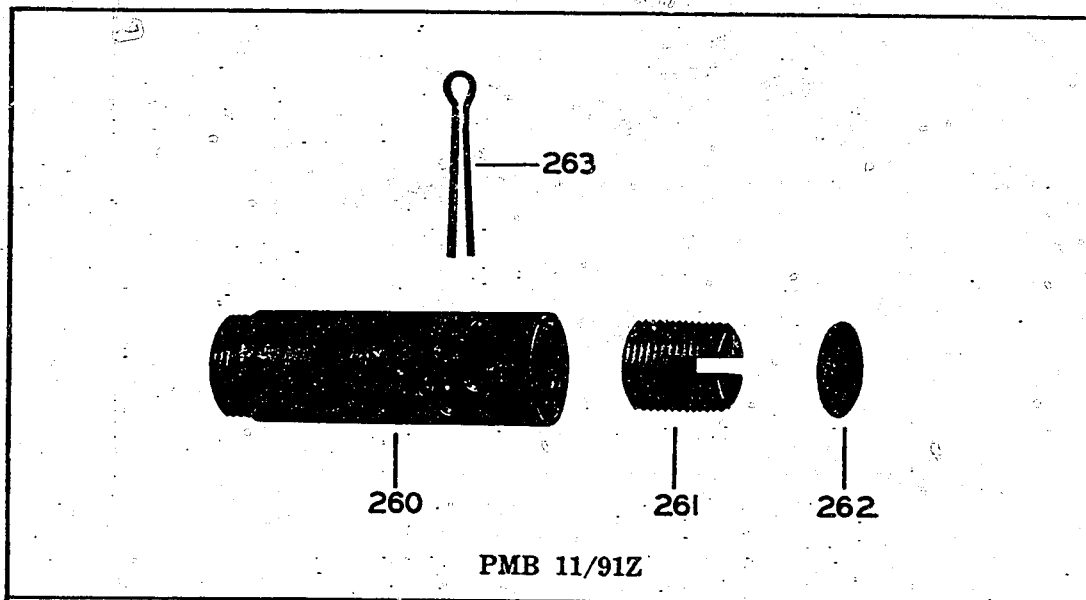
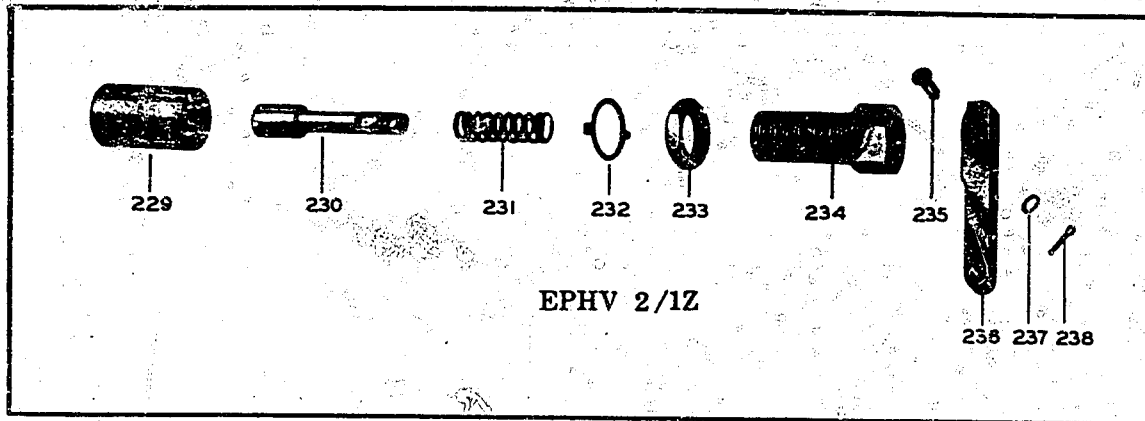
243	BG 7614 7914	1	BUSHING
244	PN 7948	1	PLUNGER
245	SP 7955	1	SPRING, plunger
246	EPMU 5/1X	1	NUT, lock
247	BG 7613 7913	1	BUSHING, guide
248	NBO 261/1X	1	PIN, linkage
249	LE 7962	1	LEVER, operating
250	NMS 8/1X 3/1X	1	WASHER, linkage pin
251	PN 1007	1	PIN, cotter

BG 767A ASSEMBLY*

252	BG 766	1	BUSHING
253	PSR 10/1X	1	SCREW, adjusting
254	NSP 4/5X	1	PIN, cotter

*Gasket, WMR 2041/3X, must be used with cast iron pump housing

SERVICE
OCT 12 1953
ANS.



AMERICAN BOSCH CORPORATION SPRINGFIELD, MASS. U.S.A.

add BG7620A

CONTROL RACK STOPS

"B" Size Pumps

EPHV 2/1Z ASSEMBLY*

<u>Illustration Number</u>	<u>Part Number</u>	<u>Quantity Used</u>	<u>Description of Parts</u>
229	BG 7645	1	BUSHING
230	EPBO 14/1X	1	PLUNGER
231	WSF 2291/4X	1	SPRING, plunger
232	EPMR 5/1X	1	WASHER, lock
233	EPMU 5/1X	1	NUT, lock
234	EPMB 5/1X	1	BUSHING, guide
235	NBO 261/1X	1	PIN, linkage
236	EPHE 10/1X	1	LEVER, operating
237	WMS 2140/24X	1	WASHER, linkage pin
238	PN 1007	1	PIN, cotter

PMB 11/31Z*

260	PMB 11/1X	1	BUSHING
261	WSR 2209/1X	1	SCREW, adjusting
262	WMS 2153/1X	1	DISC, sealing
263	PN 4-36	1	PIN, cotter

SERVICE
OCT 12 1953
ANS.

WMB 2103/400Z*

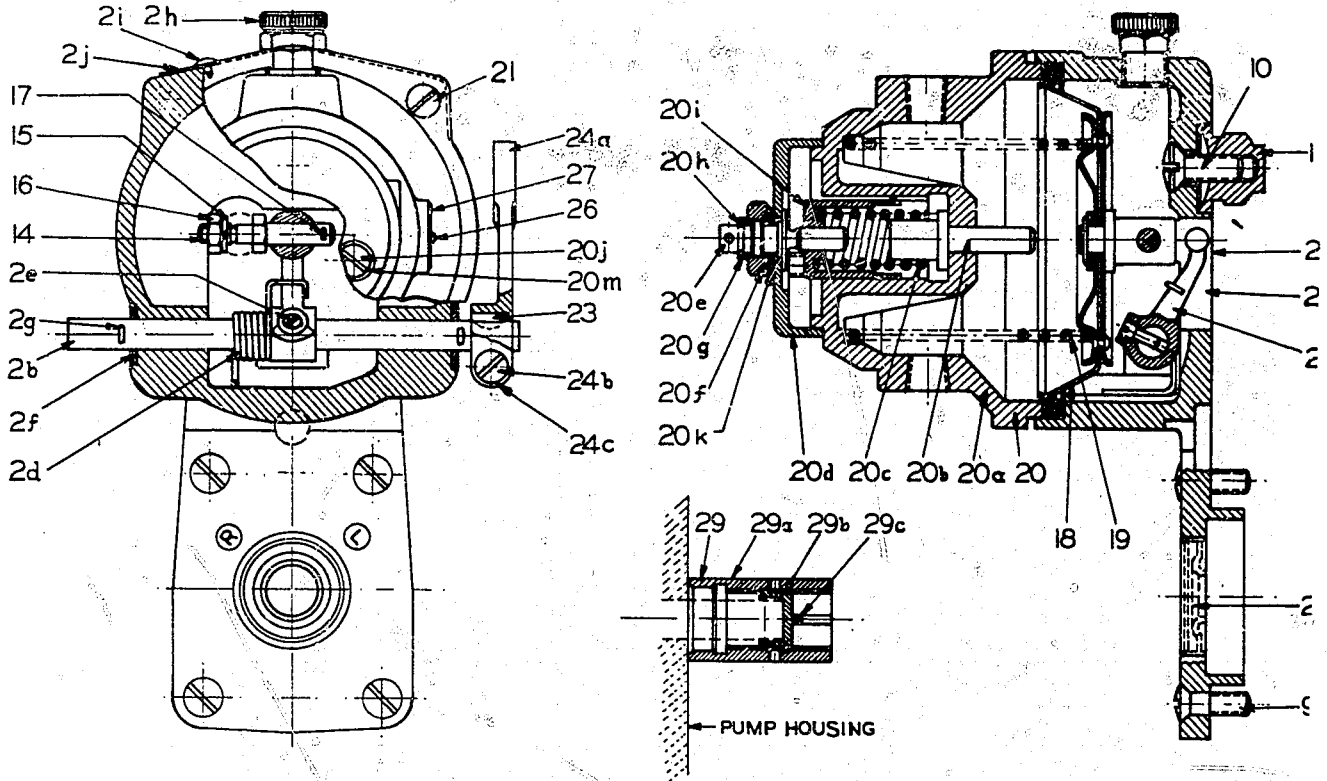
264	WMB 2103/400X	1	BUSHING—Not serviced without part 268
265	WSR 2163/1X	1	SCREW, adjusting
266	NMS 416/1X	1	WASHER, lock
267	NMU 46/2X	1	NUT, lock
268	PMK 1A1X	1	COVER, protection—not serviced without part 264

*Gasket, WMR 2041/409X, must be used with cast iron pump housing.

AMERICAN BOSCH CORPORATION SPRINGFIELD MASSACHUSETTS

**SERVICE PARTS LIST FOR
AMERICAN BOSCH PNEUMATIC GOVERNOR**

AEP/MZ 80 A51



**Illustration
Number**

Part Number

Description of Parts

1	EPVU 1/1 X	Securing plug
2	HG 791 A	Governor housing assembly, consists of parts 2a to 2k
2a	HG 795	Governor housing only
2b	EPAC 1/1 X	Operating shaft
2c	EPHE 1/1 X	Inner stop lever
2d	WSF 2218/1 X	Spring for stop lever
2e	WSR 2074/2 X	Set screw for stop lever
2f	WA 1069 BL	Washer for stop lever shaft
2g	PN 2-20	*Cotter pin for stop lever
2h	LR 793	*Oil hole cover
2i	SC 150-2	Drive rivet for lubricating instruction plate
2j	NP 794	Lubricating instruction plate
2k	PK 764	*Oil seal for end plate
9	NSR 734/22 X	*Screw for securing governor housing (4 used)
10	NSR 736/22 X	*Screw for securing governor housing (1 used)
14	PN 796	*Linkage pin
15	WA 6-8 BL	Lock washer for linkage pin
16	NT 4-8 BL	Lock nut for linkage pin
17	PN 2-16	*Cotter pin for linkage pin
18	EPME 1A2 Z	*Membrane assembly
19	WSF 2239/1 X	Main spring
20	CV 795 A	Governor end cover assembly, consists of parts 20a to 20m
20a	CV 794	Governor end cover only
20b	PN 7944	*Idling control pin

*Fast moving parts

AMERICAN BOSCH CORPORATION SPRINGFIELD-MASS. U.S.A.

Illustration Number	Part Number	Description of Parts
20c	WSF 2262/1 X	Idling adjusting spring
20d	EPMK 1/3 X	End cap
20e	EPSR 1/2 X	*Adjusting screw
20f	NMU 2022/2 X	*Lock nut for adjusting screw
20g	WMR 2056/2 X	*Lock nut stop ring
20h	WMR 2090/5 X	*Split ring
20i	EPMB 2/1 X	*Guide bushing
20j	NSR 734/27 X	*Screw for fastening end cap
20k	WMS 706/2 X	Washer under lock nut
20m	WMS 2003/13 X	*Gasket for end cap fastening screw
21	NSR 732/25 X	Screw for fastening governor end cover (4 used)
23	NKE 3/1 X	*Woodruff key
24a	LE 797	*Operating lever
24b	NSR 42/23 X	Clamping screw for operating lever
24c	WA 6-6 BL	Lock washer under clamping screw
26	SC 150-2	Drive rivet for name plate
27	NP 791	Name plate
29	BG 767 A	Control rod stop assembly, consists of parts 29a to 29c
29a	BG 766	Bushing for control rod stop
29b	PSR 10/1 X	*Screw for control rod stop
29c	NSP 4/5 X	*Cotter pin for control rod stop

*Fast moving parts

AMERICAN BOSCH CORPORATION SPRINGFIELD MASS U.S.A.

These pages supersede Manual Pages D320/200 to D320/202 Issued June, 1949

SERVICE PARTS LIST FOR AMERICAN BOSCH PNEUMATIC GOVERNOR

GPA 80 A 1

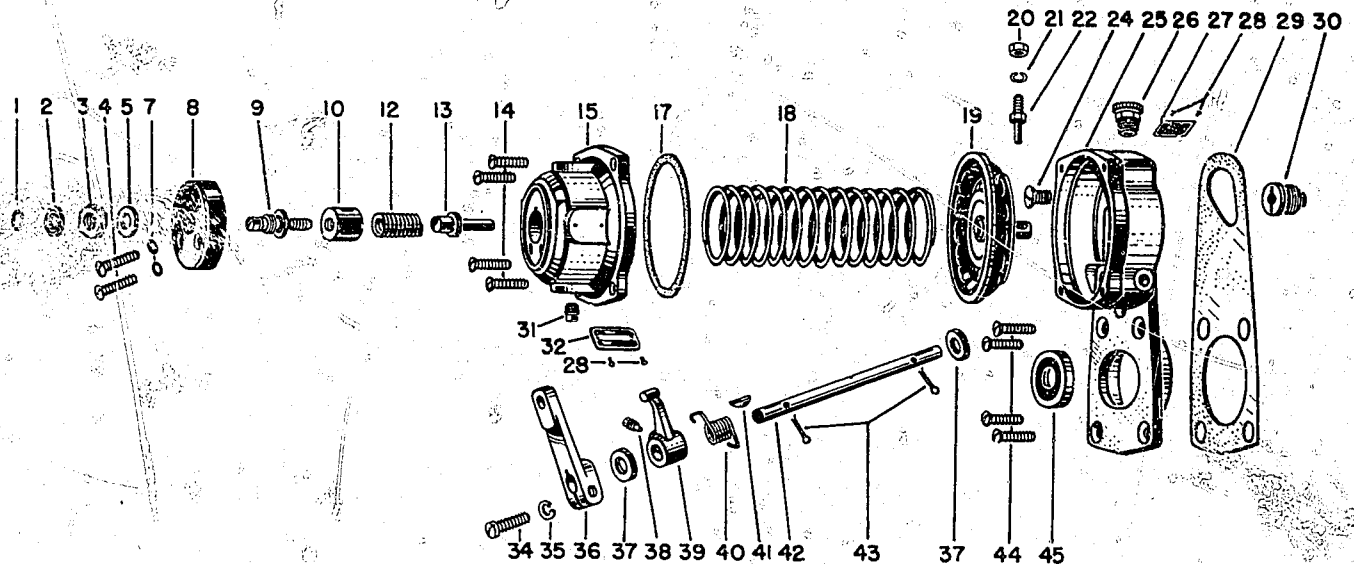


Illustration Number	Part Number	Quantity Used	Description of Part
***	CV 795A	1	COVER ASSEMBLY, housing - consists of parts 1 to 13, 15 and 31
1	WMR 2090/5X	1	RING, split
2	WMR 2056/2X	1	WASHER, recessed
3	NMU 2022/2X	1	NUT, lock - adjusting screw
4	NSR 734/27X	2	SCREW, fastening - end cap
5	WMS 706/2X	1	WASHER, lock nut
7	WMS 2003/13X	2	GASKET, sealing
8	EPMK 1/3X	1	CAP, end
9	EPSR 1/2X	1	SCREW, adjusting
10	EPMB 2/1X	1	BUSHING, guide
12	WSF 2262/1X	1	SPRING, adjusting
13	PN 7944	1	PIN, contact
14	NSR 732/25X	4	SCREW, fastening - housing cover
15	CV 794	1	COVER, housing
17	GA 79100	1	GASKET, housing cover
18	WSF 2239/1X	1	SPRING, diaphragm
19	DM 797A	1	DIAPHRAGM ASSEMBLY
20	NT 4-8 BL	1	NUT, lock - linkage pin
21	WA 6-8	1	WASHER, lock - lock nut
22	PN 796	1	PIN, linkage
24	NSR 736/22X	1	SCREW, fastening - governor housing
***	HG 791A	1	HOUSING ASSEMBLY, governor - includes parts 25 to 28, 37 to 40, 42, 43 and 45
25	HG 795	1	HOUSING, governor
26	LR 793	1	COVER, oil hole
27	NP 794	1	PLATE, instruction - lubrication

** NOT ILLUSTRATED *** NOT SHOWN ASSEMBLED

AMERICAN BOSCH CORPORATION SPRINGFIELD, MASS. U.S.A.

Illustration Number	Part Number	Quantity Used	Description of Part
28	SC 150-2	4	SCREW, drive - plate fastening
29	GA 7972	1	GASKET, housing - governor
30	SC 7641	1	PLUG, screw - pump
31	PG 1041	1	PLUG, pipe
32	NP 7911	1	PLATE, name
***	LE 798A	1	LEVER ASSEMBLY, operating - consists of parts 34 to 36
34	NSR 42/23X	1	SCREW, clamping - operating lever
35	WA 6-6 BL	1	WASHER, lock
36	LE 797	1	LEVER, operating
37	WA 1069 BL	2	WASHER, plain - shaft - operating lever
38	SC 7930	1	SCREW, set - stop lever - inner
39	EPHE 1/1X	1	LEVER, stop - inner
40	WSF 2218/1X	1	SPRING, stop lever
41	NKE 3/1X	1	KEY, Woodruff
42	EPAC 1/1X	1	SHAFT, operating lever
43	PN 2-20	2	PIN, cotter
44	NSR 734/22X	4	SCREW, fastening - governor housing
45	PK 764	1	SEAL, oil

1964A GPA 80A 1964A - Hercules

***	CV 7949A	1	COVER ASSEMBLY, housing - consists of parts 1 to 13 and 15
13	PN 7952	1	PIN, contact
15	CV 7953	1	COVER, housing
***	HG 79171A	1	HOUSING ASSEMBLY, governor - includes parts 25 to 28, 37, 39, 40, 42, 43 and 45
25	HG 79179A	1	HOUSING ASSEMBLY, governor - includes part 45
***	LE 7995A	1	LEVER ASSEMBLY, operating - consists of parts 34 to 36
34	SC 1162	1	SCREW, clamping - operating lever - includes part 35
35		1	WASHER, lock
36	LE 7996	1	LEVER, operating
39	LE 7994	1	LEVER, stop - inner
40	SP 7932	1	SPRING, stop lever
42	SH 7975	1	SHAFT, operating lever
44	NSR 734/27X	4	SCREW, fastening - governor housing
45	PG 7923	1	PLUG, closing - oil seal bore
**	NT 7932	1	NUT, cap - adjusting stud
**	GA 7616	1	GASKET, cap nut
**	NT 9-8 BL	1	NUT, lock - adjusting stud
**	SD 795	1	STUD, adjusting - stop lever
**	SR 7921	1	SPACER, spring - stop lever - inner
**	BG 7925	2	BUSHING, shaft - operating lever

NOTE: Omit parts illustration numbers 31, 38 and 41

FOR ALL OTHER PARTS SEE GPA 80A1 GOVERNOR ON MANUAL PAGES D 320/200 AND D 320/201

** NOT ILLUSTRATED *** NOT SHOWN ASSEMBLED

AMERICAN BOSCH CORPORATION SPRINGFIELD MASS U S A

2121A GPA 80A 2121A - Hercules
 2122A GPA 80A 2122A

<u>Illustration Number</u>	<u>Part Number</u>	<u>Quantity Used</u>	<u>Description of Part</u>
***	CV 7949A	1	COVER ASSEMBLY, housing - consists of parts 1 to 13 and 15
13	PN 7952	1	PIN, contact
15	CV 7953	1	COVER, housing
***	HG 7910A	1	HOUSING ASSEMBLY, governor - includes parts 25 to 28, 37 to 40, 42, 43 and 45
25	HG 799	1	HOUSING, governor
44	NSR 734/27X	4	SCREW, fastening - governor housing

NOTE: Omit part illustration number 31

FOR ALL OTHER PARTS SEE GAP 80A1 GOVERNOR ON MANUAL PAGES D 320/200 AND D 320/201

** NOT ILLUSTRATED *** NOT SHOWN ASSEMBLED

These pages supersede Manual Pages D320/250 and D320/251 issued July, 1949

SERVICE PARTS LIST FOR AMERICAN BOSCH PNEUMATIC GOVERNOR GPA 80 BI

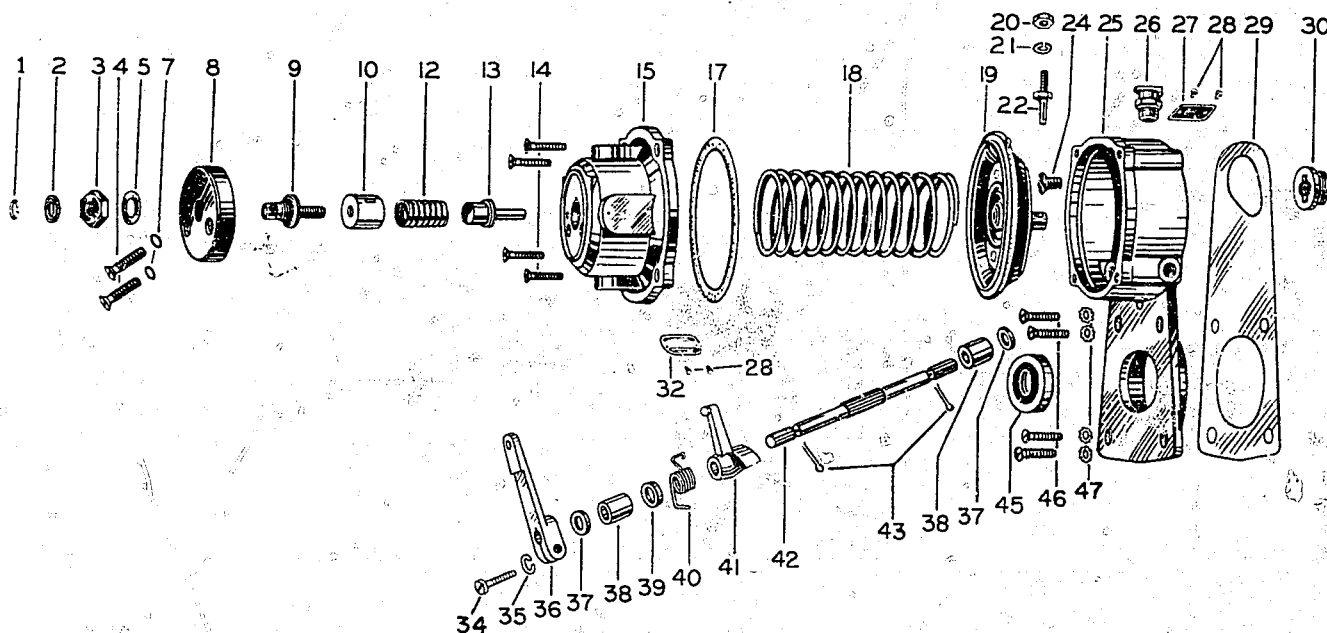


Illustration Number	Part Number	Quantity Used	Description of Part
***	CV 7949A	1	COVER ASSEMBLY, housing - consists of parts 1 to 13 and 15
1	WMR 2090/5X	1	RING, split
2	WMR 2056/2X	1	WASHER, recessed
3	NMU 2022/2X	1	NUT, lock - adjusting screw
4	NSR 734/27X	2	SCREW, fastening - end cap
5	WMS 706/2X	1	WASHER
7	WMS 2003/13X	2	GASKET, sealing
8	EPMK 1/3X	1	CAP, end
9	EPSR 1/2X	1	SCREW, adjusting
10	EPMB 2/1X	1	BUSHING, guide
12	WSF 2262/1X	1	SPRING, adjusting
13	PN 7952	1	PIN, contact
14	NSR 732/25X	4	SCREW, fastening - housing cover
15	CV 7953	1	COVER, housing
17	GA 79100	1	GASKET, housing cover
18	WSF 2239/1X	1	SPRING, diaphragm
19	DM 797A	1	DIAPHRAGM ASSEMBLY
20	NT 4-8 BL	1	NUT, lock - linkage pin
21	WA 6-8	1	WASHER, lock - lock nut
22	PN 796	1	PIN, linkage
24	SC 66-10 BL	1	SCREW, fastening - governor housing
25	HG 79183	1	HOUSING, governor
26	LR 794	1	COVER, oil hole

*** NOT SHOWN ASSEMBLED

<u>Illustration Number</u>	<u>Part Number</u>	<u>Quantity Used</u>	<u>Description of Part</u>
27	NP 794	1	PLATE, instruction - lubrication
28	SC 150-2	4	SCREW, drive - plate fastening
29	GA 7972	1	GASKET, housing governor
30	SC 7982	1	PLUG, screw - pump
32	NP 7911	1	PLATE, name
34	SC 1162	1	SCREW, clamping - operating lever - includes lockwasher
36	LE 7996	1	LEVER, operating
37	WA 1069	2	WASHER, plain - shaft - operating lever
38	BG 7925	2	BUSHING, shaft - operating lever
39	SR 7921	1	SPACER, spring - stop lever - inner
40	SP 7932	1	SPRING, stop lever
41	LE 7994	1	LEVER, stop - inner
42	SH 7975	1	SHAFT, operating lever
43	PN 2-20- BL	2	PIN, cotter
45	PK 764	1	SEAL, oil
46	SC 7992	4	SCREW, fastening - governor housing
47	WA 1579	4	WASHER, lock - fastening screw - governor housing

1964B GPA 80B 1964B - Hercules

***	HG 79179A	1	HOUSING ASSEMBLY, governor - includes part 45
45	PG 7923	1	PLUG, closing - oil seal bore
**	SD 795	1	STUD, adjusting - stop lever
**	NT 7932	1	NUT, cap - adjusting stud
**	GA 7616	1	GASKET, cap nut
**	NT 9-8 BL	1	NUT, lock - adjusting stud

FOR ALL OTHER PARTS SEE GPA 80B 1 GOVERNOR ON MANUAL PAGES D320/250 AND D320/251

2121B GPA 80B 2121B - Hercules**2121C GPA 80B 2121C - Hercules**

46	NSR 734/27X	4	SCREW, fastening - governor housing
----	-------------	---	-------------------------------------

NOTE: Omit part designated by illustration number 47

FOR ALL OTHER PARTS SEE GPA 80B 1 GOVERNOR ON MANUAL PAGES D320/250 AND 320/251

2345A GPA 80B 2345A - Hercules**2345B GPA 80B 2345B - Hercules**

18	SP 7957	1	SPRING, diaphragm
46	NSR 734/27X	4	SCREW, fastening - governor housing

NOTE: Omit part designated by illustration number 47

FOR ALL OTHER PARTS SEE GPA 80B 1 GOVERNOR ON MANUAL PAGES D320/250 AND D320/251

2910A GPA 80B 2910A - Hercules**2910B GPA 80B 2910B - Hercules**

18	SP 7967	1	SPRING, diaphragm
46	NSR 734/27X	4	SCREW, Fastening - governor housing

NOTE: Omit part designated by illustration number 47

FOR ALL OTHER PARTS SEE GPA 80B 1 GOVERNOR ON MANUAL PAGES D320/250 AND D320/251

AMERICAN BOSCH CORPORATION, SPRINGFIELD, MASS.

These pages supersede Manual Pages D321 to D321/2, issued July, 1949

SERVICE PARTS LIST FOR AMERICAN BOSCH PNEUMATIC GOVERNOR

- GPB 80 A1
- GPB 80 A2
- GPB 80 A 2320A
- GPB 80 A 2320B
- GPB 80 B 2123A

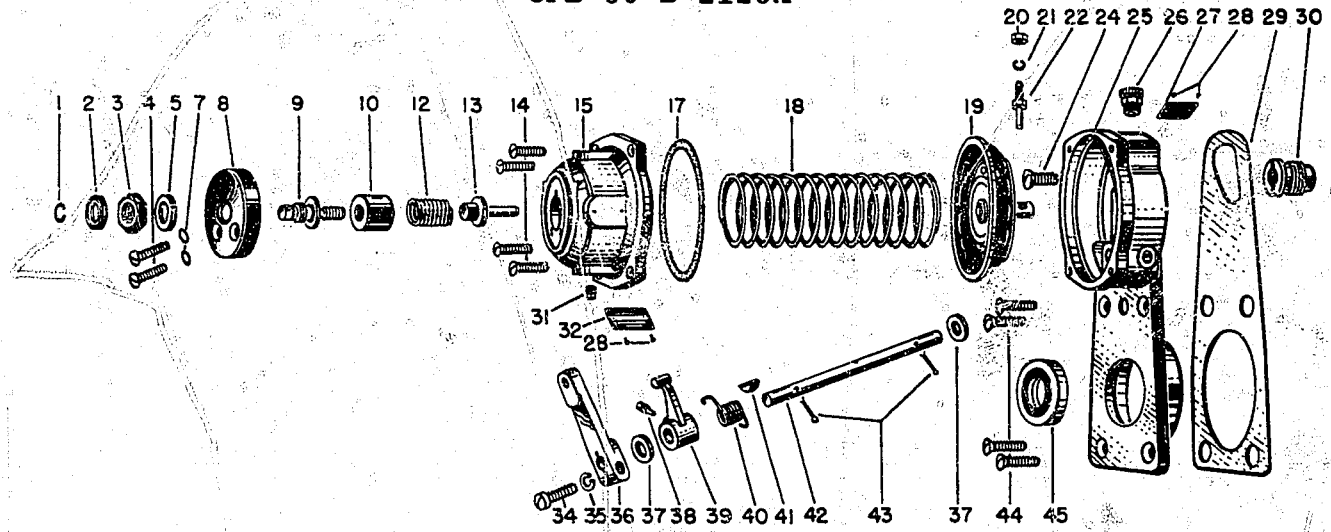


Illustration Number	Part Number	Quantity Used	Description of Part
***	CV 795A	1	COVER ASSEMBLY, housing - consists of parts 1 to 13, 15 and 31
1	WMR 2090/5X	1	RING, felt
2	WMR 2056/2X	1	WASHER, recessed
3	NMU 2022/2X	1	NUT, lock - adjusting screw
4	NSR 734/27X	2	SCREW, fastening - end cap
5	WMS 706/2X	1	WASHER, lock nut
7	WMS 2003/13X	2	GASKET, sealing
8	EPMK 1/3X	1	CAP, end
9	EPSR 1/2X	1	SCREW, adjusting
10	EPMB 2/1X	1	BUSHING, guide
12	WSF 2262/1X	1	SPRING, adjusting
13	PN 7944	1	PIN, contact
14	NSR 734/25X	4	SCREW, fastening - housing cover
15	CV 794	1	COVER, housing
17	GA 79100	1	GASKET, housing cover
18	WSF 2239/1X	1	SPRING, diaphragm
19	DM 797A	1	DIAPHRAGM ASSEMBLY - used with GPB 80A1, GPB 80A 2320A and GPB 2320B
19	DM 798A	1	DIAPHRAGM ASSEMBLY - used with GPB 80A2 and GPB 80B 2123A
20	NT 762	1	NUT, lock - linkage pin
21	WA 6-8 BL	1	WASHER, lock - lock nut
22	PN 795	1	PIN, linkage
24	NSR 736/22X	1	SCREW, Fastening- governor housing - large

*** NOT SHOWN ASSEMBLED

<u>Illustration Number</u>	<u>Part Number</u>	<u>Quantity Used</u>	<u>Description of Part</u>
***	HG 793A	1	HOUSING ASSEMBLY, governor - includes parts 25 to 28, 37 to 40, 42, 43 and 45
25	HG 794	1	HOUSING, governor
26	LR 793	1	COVER, oil hole
27	NP 794	1	PLATE, instruction - lubrication
28	SC 150-2	4	SCREW, drive - plate fastening
29	GA 7997	1	GASKET, housing - governor
30	EPVU 2/1X	1	PLUG, screw - pump
31	PG 1041	1	PLUG, pipe
32	NP 7911	1	PLATE, name
***	LE 798A	1	LEVER ASSEMBLY, operating - consists of parts 34 to 36
34	NSR 42/23X	1	SCREW, clamping - operating lever
35	WA 6-6 BL	1	WASHER, lock
36	LE 797	1	LEVER, operating
37	WA 1069 BL	2	WASHER, plain - shaft - operating lever
38	SC 7930	1	SCREW, set - stop lever - inner
39	EPHE 1/1X	1	LEVER, stop - inner
40	WSF 2218/1X	1	SPRING, stop lever
41	NKE 3/1X	1	KEY, Woodruff
42	EPAC 1/1X	1	SHAFT, operating lever
43	PN 2-20	2	PIN, cotter
44	NSR 734/22X	4	SCREW, fastening - governor housing
45	PK 765	1	SEAL, oil

2320A

GPB 80A 2320A

19	EPME 1B 2Z	1	DIAPHRAGM ASSEMBLY
----	------------	---	--------------------

FOR ALL OTHER PARTS SEE GPB 80 A2 GOVERNOR ON MANUAL PAGES D 321 AND D 321/1

AMERICAN BOSCH CORPORATION SPRINGFIELD MASS U.S.A.

2123A GPB 80B 2123A - Latrop

<u>Illustration Number</u>	<u>Part Number</u>	<u>Quantity Used</u>	<u>Description of Part</u>
19	EPME 1B 1Z or DM 795A	1	DIAPHRAGM ASSEMBLY

FOR ALL OTHER PARTS SEE GPB 80 A2 GOVERNOR ON MANUAL PAGES D 321 AND D 321/1