

# **GVA & B TORQUE VALUES**

# SERVICE INSTRUCTIONS

## For

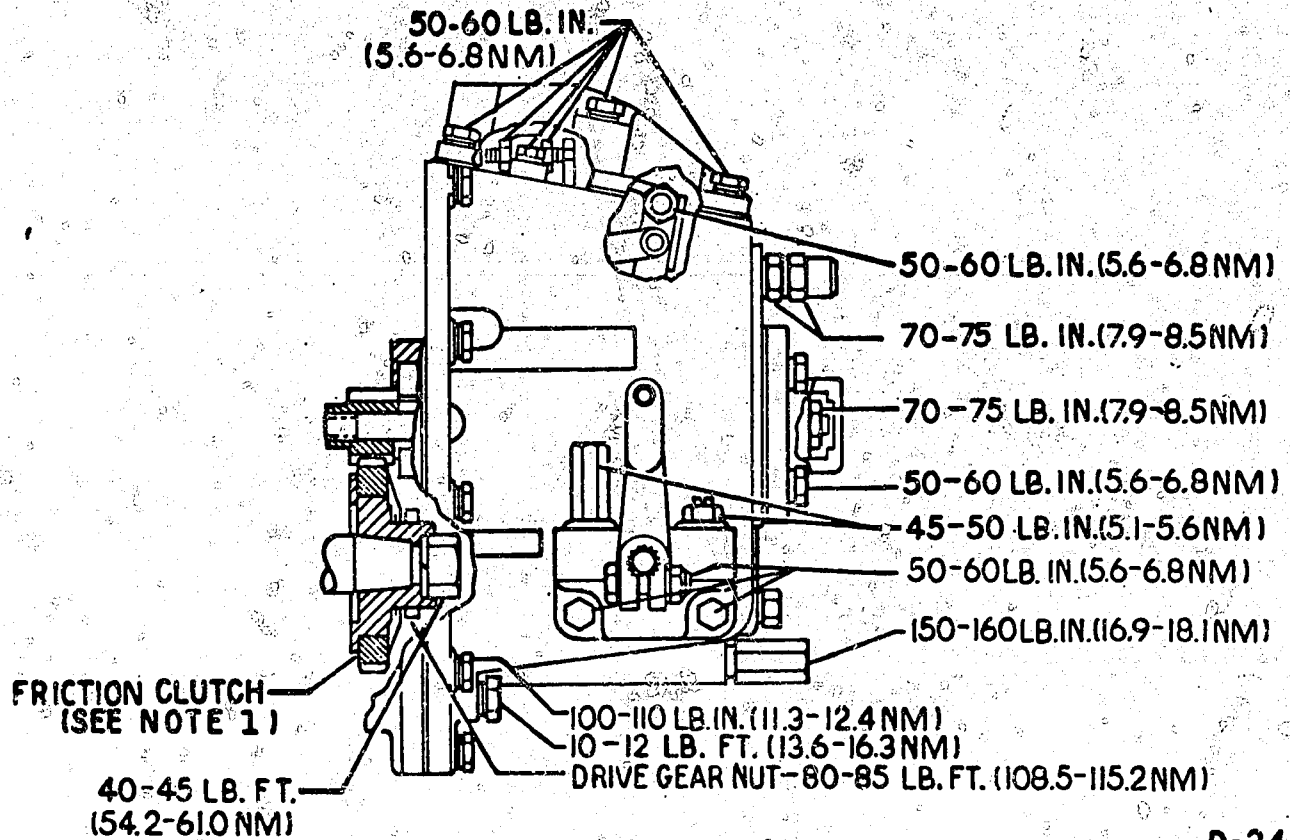
# AMERICAN BOSCH

# GVA & GVB

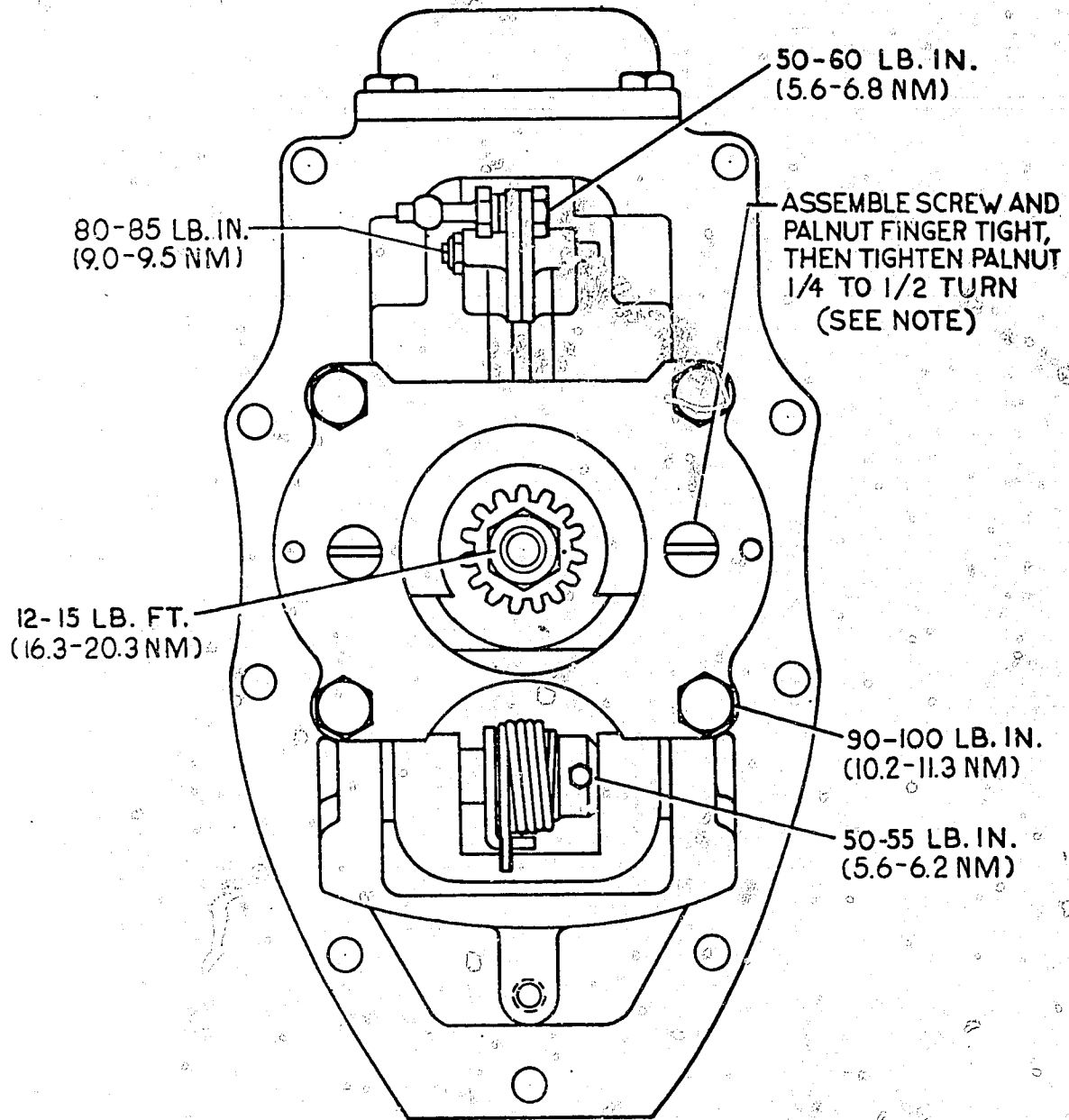
# VARIABLE SPEED GOVERNORS

### (Supplement)

**SUBJECT:** Torque Specifications.



D-343



**NOTE:** WHEN A THREADED BEARING PLATE IS USED, ASSEMBLE SCREW FROM OPPOSITE DIRECTION AND TIGHTEN TO 20-25 LB. IN. (2.3-2.8 NM), THEN ASSEMBLE PALNUT AND TIGHTEN 1/4 TO 1/2 TURN BEYOND FINGER TIGHT.

D-344