

PLB

1A

Supersedes Manual Pages D216 thru D216/6, Issued February, 1962

SERVICE PARTS LIST

For

PLB 1A 40-80 A-1

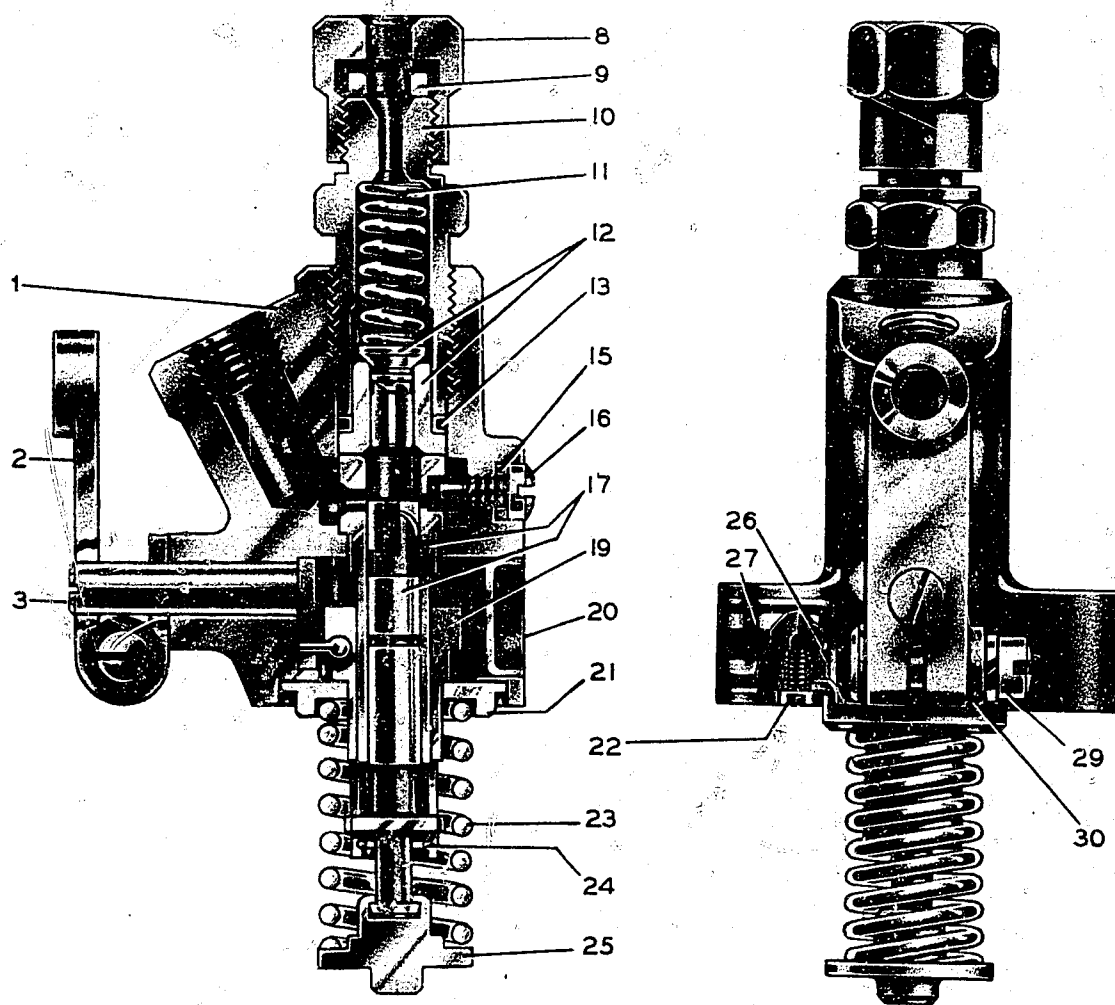


Illustration
Number

Part Number

Quantity
Used

Description of Part

1	HG 76862	1	HOUSING, pump
2	LE 7620A	1	LEVER, control
3	SH 7682A	1	SHAFT ASSEMBLY, control
8	NT 7854	1	NUT, union - delivery
9	WMS 2081/2X	1	WASHER, union nut - delivery
10	HP 76191	1	HOLDER, delivery valve - for pumps having 4 mm to 7.5 mm diameter plungers

Illustration Number	Part Number	Quantity Used	Description of Part
10	HP 76177	1	HOLDER, delivery valve — for pumps having 8 mm diameter plungers
11	WSF 2206A1X	1	SPRING, delivery valve — for pumps having 4 mm to 7.5 mm diameter plungers
11	SP 7617	1	SPRING, delivery valve — for pumps having 8 mm diameter plungers
12	PVE 50/1Z	1	VALVE ASSEMBLY, delivery — for pumps having 4 mm to 7.5 mm diameter plungers
12	VA 7636A	1	VALVE ASSEMBLY, delivery — for pumps having 8 mm diameter plungers
13	WNR 2021/3X	1	GASKET, delivery valve
15	GA 7615	1	GASKET, locating screw — barrel
16	WSR 2099/2X	1	SCREW, locating — barrel
17	PPK 83/1Z	1	PLUNGER AND BARREL ASSEMBLY — 4 mm diameter plunger
	PPK 83/2Z	1	PLUNGER AND BARREL ASSEMBLY — 5 mm diameter plunger
	PPK 83/3Z	1	PLUNGER AND BARREL ASSEMBLY — 6 mm diameter plunger
	PPK 83/4Z	1	PLUNGER AND BARREL ASSEMBLY — 6.5 mm diameter plunger
	BC 763-1A	1	PLUNGER AND BARREL ASSEMBLY — 7 mm diameter plunger
	BC 763-2A	1	PLUNGER AND BARREL ASSEMBLY — 7.5 mm diameter plunger
	BC 763-3A	1	PLUNGER AND BARREL ASSEMBLY — 8 mm diameter plunger
19	SV 7639	1	SLEEVE, control
20	PG 7652	1	PLUG, closing
21	GU 7672	1	SEAT, plunger spring — upper
22	SC 1609	2	SCREW, fastening — plunger spring seat — upper
23	SP 7673	1	SPRING, plunger
24	RG 1131	1	RING, snap — plunger retaining
25	GU 7673	1	SEAT, plunger spring — lower
26	SC 150-2	2	SCREW, plate fastening
27	NP 7672	1	PLATE, name
29	SC 1350	1	SCREW, with lockwasher, clamping — control lever
30	WA 1353	1	WASHER, plain — clamping screw

PLB IA 60-80A 2326A

Illustration Number	Part Number	Quantity Used	Description of Part
1	HG 76862	1	HOUSING, pump
2	LE 7620A	1	LEVER, control
3	SH 7682A	1	SHAFT ASSEMBLY, control
8	NT 7854	1	NUT, union — delivery
9	WMS 2081/2X	1	WASHER, union nut — delivery
10	HP 76191	1	HOLDER, delivery valve — for pumps having 6 mm to 7.5 mm diameter plungers
	HP 76177	1	HOLDER, delivery valve — for pumps having 8 mm diameter plungers
11	WSF 2206A1X	1	SPRING, delivery valve — for pumps having 6 mm to 7.5 mm diameter plungers
	SP 7617	1	SPRING, delivery valve — for pumps having 8 mm diameter plungers
12	PVE 50/1Z	1	VALVE ASSEMBLY, delivery — for pumps having 6 mm to 7.5 mm diameter plungers
	VA 7636A	1	VALVE ASSEMBLY, delivery — for pumps having 8 mm diameter plungers
13	WNR 2021/3X	1	GASKET, delivery valve holder
15	GA 7615	1	GASKET, locating screw — barrel
16	WSR 2099/2X	1	SCREW, locating — barrel
17	BC 76188-1A	1	PLUNGER AND BARREL ASSEMBLY — 6 mm diameter plunger
	BC 76188-2A	1	PLUNGER AND BARREL ASSEMBLY — 6.5 mm diameter plunger
	BC 76188-3A	1	PLUNGER AND BARREL ASSEMBLY — 7 mm diameter plunger
	BC 76188-4A	1	PLUNGER AND BARREL ASSEMBLY — 7.5 mm diameter plunger
	BC 76188-5A	1	PLUNGER AND BARREL ASSEMBLY — 8 mm diameter plunger
19	SV 7641	1	SLEEVE, control
20	PG 7652	1	PLUG, closing

Illustration Number	Part Number	Quantity Used	Description of Part
21	GU 7672	1	SEAT, plunger spring - upper
22	SC 1609	2	SCREW, fastening - plunger spring seat - upper
23	SP 7673	1	SPRING, plunger
24	RG 1131	1	RING, snap - plunger retaining
25	GU 7673	1	SEAT, plunger spring - lower
26	SC 150-2	2	SCREW, drive - plate fastening
27	NP 7672	1	PLATE, name
29	SC 1350	1	SCREW, with lockwasher - clamping - control lever
30	WA 1353	1	WASHER, plain - clamping screw

PLB 1A 65A 2332A & B - Hallett - 3 1/2" x 3-5/8" - Engine Model AC-1 2332A & B

Illustration Number	Part Number	Quantity Used	Description of Part
1	HG 76862	1	HOUSING, pump (used on "A" Edition)
8	HG 761128	1	HOUSING, pump (used on "B" Edition)
9			Not supplied by American Bosch (Ermeto)
10	HP 76143	1	Not supplied by American Bosch (Ermeto)
17	PPK 83/4Z	1	HOLDER, delivery valve - (14 x 1.5 mm thread for Ermeto)
			PLUNGER AND BARREL ASSEMBLY - 6.5 mm diameter plunger

Note: Control lever to be mounted 180° from standard.

FOR ALL OTHER PARTS SEE MANUAL PAGES 1 AND 2

PLB 1A 80A 2404A - Climax - 5" x 6 1/4" - Engine Model C-46 2404A

Illustration Number	Part Number	Quantity Used	Description of Part
8			Not supplied by American Bosch (Ermeto)
9			Not supplied by American Bosch (Ermeto)
10	HP 76142	1	HOLDER, delivery valve - (14 x 1.5 mm thread for Ermeto)
17	BC 763-3A	1	PLUNGER AND BARREL ASSEMBLY - 8 mm diameter plunger

FOR ALL OTHER PARTS SEE MANUAL PAGES 1 AND 2

PLB 1A 60A 2415A - Witte - 3 1/4" x 4 1/2" - Engine Model AD 2415A

Illustration Number	Part Number	Quantity Used	Description of Part
8	WMU 2160/1X	1	NUT, union - delivery
9	WMS 2081/5X	1	WASHER, union nut - delivery
10	HP 76140	1	HOLDER, delivery valve (12 x 1.5 mm thread)
17	PPK 83/3Z	1	PLUNGER AND BARREL ASSEMBLY - 6 mm diameter plunger

FOR ALL OTHER PARTS SEE MANUAL PAGES 1 AND 2

PLB 1A 60A 2470A Fairbanks-Morse - 3-1/8" x 4" - Engine Model 45-B 2470A

Illustration Number	Part Number	Quantity Used	Description of Part
1	HG 76885	1	HOUSING, pump - fuel inlet right hand side
8			Not supplied by American Bosch (Ermeto)
9			Not supplied by American Bosch (Ermeto)
10	HP 76161	1	HOLDER, delivery valve (9/16" thread for Ermeto)
17	PPK 84/3Z	1	PLUNGER AND BARREL ASSEMBLY - 6 mm diameter plunger
19	SV 7645	1	SLEEVE, control

FOR ALL OTHER PARTS SEE MANUAL PAGES 1 AND 2

2471A

PLB 1A 80A 2471A - Fairbanks-Morse - 4½" x 4½" - Engine Model 1

Illustration Number	Part Number	Quantity Used	Description of Part
1	HG 76885	1	HOUSING, pump - fuel inlet at right hand side
8			Not supplied by American Bosch (Ermeto)
9			Not supplied by American Bosch (Ermeto)
10	HP 76160	1	HOLDER, delivery valve (9/16" thread for Ermeto)
17	BC 7635-3A	1	PLUNGER AND BARREL ASSEMBLY - 8mm diameter plunger
19	SV 7645	1	SLEEVE, control

FOR ALL OTHER PARTS SEE MANUAL PAGES 1 AND 2

2617A

PLB 1A 80A 2617A - Hallett Manufacturing Co. - 3-7/8" x ¼" - Model D-2

Illustration Number	Part Number	Quantity Used	Description of Part
8			Not supplied by American Bosch (Ermeto)
9			Not supplied by American Bosch (Ermeto)
10	HP 76143	1	HOLDER, delivery valve (14 x 1.5 thread for Ermeto)
11	WSF 2206A1X	1	SPRING, delivery valve
12	PVE 50/1Z	1	VALVE ASSEMBLY, delivery
17	BC 763-3A	1	PLUNGER AND BARREL ASSEMBLY - 8mm diameter plunger

FOR ALL OTHER PARTS SEE MANUAL PAGES 1 AND 2

2999A

PLB 1A 65A 2999A - H. J. Jaeckel & Sons - 3½" x 4"

Illustration Number	Part Number	Quantity Used	Description of Part
8	NT 763	1	NUT, union - delivery
10	HP 76173	1	HOLDER, delivery valve
17	PPK 83/4Z	1	PLUNGER AND BARREL ASSEMBLY - 6.5mm diameter plunger

NOTE: Time for port closing.

FOR ALL OTHER PARTS SEE MANUAL PAGES 1 AND 2

3263A

PLB 1A 70A 3263A - Witte

Illustration Number	Part Number	Quantity Used	Description of Part
8			Not supplied by American Bosch (Ermeto)
9			Not supplied by American Bosch (Ermeto)
10	HP 76161	1	HOLDER, delivery valve (9/16" x 18 thread for Ermeto)

FOR ALL OTHER PARTS SEE MANUAL PAGES 1 AND 2

3264A

PLB 1A 70A 3264A - Witte

Illustration Number	Part Number	Quantity Used	Description of Part
8			Not supplied by American Bosch (Ermeto)
9			Not supplied by American Bosch (Ermeto)
10	HP 76161	1	HOLDER, delivery valve (9/16" x 18 thread for Ermeto)
17	BC 7635-1A	1	PLUNGER AND BARREL ASSEMBLY - 7mm diameter plunger
19	SV 7645	1	SLEEVE, control

FOR ALL OTHER PARTS SEE MANUAL PAGES 1 AND 2

PLB 1A 75A 3265A - Witte

3265A

Illustration Number	Part Number	Quantity Used	Description of Part
8			Not supplied by American Bosch (Ermeto)
9			Not supplied by American Bosch (Ermeto)
10	HP 76161	1	HOLDER, delivery valve (9/16" x 18 thread for Ermeto)
17	BC 763-2A	1	PLUNGER AND BARREL ASSEMBLY - 7.5 mm diameter plunger

FOR ALL OTHER PARTS SEE MANUAL PAGES 1 AND 2

PLB 1A 75A 3266A - Witte

3266A

Illustration Number	Part Number	Quantity Used	Description of Part
8			Not supplied by American Bosch (Ermeto)
9			Not supplied by American Bosch (Ermeto)
10	HP 76161	1	HOLDER, delivery valve (9/16" x 18 thread for Ermeto)
17	BC 7635-2A	1	PLUNGER AND BARREL ASSEMBLY - 7.5 mm diameter plunger
19	SV 7645	1	SLEEVE, control

NOTE: Operating lever turns clockwise to shut-off.
FOR ALL OTHER PARTS SEE MANUAL PAGES 1 AND 2

PLB 1A 80A 3267A - Witte

3267A

Illustration Number	Part Number	Quantity Used	Description of Part
8			Not supplied by American Bosch (Ermeto)
9			Not supplied by American Bosch (Ermeto)
10	HP 76160	1	HOLDER, delivery valve (9/16" x 18 thread for Ermeto)
17	BC 763-3A	1	PLUNGER AND BARREL ASSEMBLY - 8mm diameter plunger

FOR ALL OTHER PARTS SEE MANUAL PAGES 1 AND 2

PLB 1A 80A 3268A - Witte

3268A

Illustration Number	Part Number	Quantity Used	Description of Part
8			Not supplied by American Bosch (Ermeto)
9			Not supplied by American Bosch (Ermeto)
10	HP 76160	1	HOLDER, delivery valve (9/16" x 18 thread for Ermeto)
17	BC 7635-3A	1	PLUNGER AND BARREL ASSEMBLY - 8mm diameter plunger
19	SV 7645	1	SLEEVE, control

NOTE: Operating lever turns clockwise to shut-off.
FOR ALL OTHER PARTS SEE MANUAL PAGES 1 AND 2

PLB 1A 80A 3279C - Witte - 4" x 4" - Engine Model 100

3279C

PLB 1A 80A 3280C - Witte - 4" x 4" - Engine Model 100

3280C

Illustration Number	Part Number	Quantity Used	Description of Part
1	HG 761120	1	HOUSING, pump
2	LE 7624A	1	LEVER, control
8			Not supplied by American Bosch (Ermeto)
9			Not supplied by American Bosch (Ermeto)
10	HP 76160	1	HOLDER, delivery valve (9/16" x 18 thread for Ermeto)
17	BC 76276-1A	1	PLUNGER AND BARREL ASSEMBLY - 8mm diameter plunger (for PLB 1A 3279C)
	BC 76275-1A	1	PLUNGER AND BARREL ASSEMBLY - 8mm diameter plunger (for PLB 1A 3280C)
19	SV 7645	1	SLEEVE, control (for PLB 1A 3279C)

NOTE: Operating lever turns clockwise to shut-off.
FOR ALL OTHER PARTS SEE MANUAL PAGES 1 AND 2

3281A

PLB 1A 70A 3281A - John M. Walton

Illustration Number	Part Number	Quantity Used	Description of Part
1	HG 76885	1	HOUSING, pump
8			Not supplied by American Bosch (Ermeto)
9			Not supplied by American Bosch (Ermeto)
10	HP 76161	1	HOLDER, delivery valve (9/16" x 18 thread for Ermeto)
17	BC 7635-1A	1	PLUNGER AND BARREL ASSEMBLY - 7 mm diameter plunger
19	SV 7645	1	SLEEVE, control

NOTE: Operating lever turns clockwise to shut-off.

FOR ALL OTHER PARTS SEE MANUAL PAGES 1 AND 2

3457A

PLB 1A 70A 3457A - Magneto Sales & Service

Illustration Number	Part Number	Quantity Used	Description of Part
8			Not supplied by American Bosch (Ermeto)
9			Not supplied by American Bosch (Ermeto)
10	HP 76143	1	HOLDER, delivery valve (14 x 1.5 thread for Ermeto)
17	BC 763-1A	1	PLUNGER AND BARREL ASSEMBLY - 7 mm diameter plunger

NOTE: Control lever to be mounted 180° from standard.

FOR ALL OTHER PARTS SEE MANUAL PAGES 1 AND 2

3848A

PLB 1A 65A 3848A - American Marc - Engine Models - AC1 and AC2

Illustration Number	Part Number	Quantity Used	Description of Part
8			Not supplied by American Bosch (Ermeto)
9			Not supplied by American Bosch (Ermeto)
10	HP 76143	1	HOLDER, delivery valve (14 x 1.5 thread for Ermeto)
17	PPK 83/4Z	1	PLUNGER AND BARREL ASSEMBLY - 6.5 mm diameter plunger

NOTE: Control lever to be mounted 180° from standard.

FOR ALL OTHER PARTS SEE MANUAL PAGES 1 AND 2

4293A

PLB 1A 80A 4293A - Fairbanks-Morse - 4-1/8" x 5 1/2" - Engine Model 45D

Illustration Number	Part Number	Quantity Used	Description of Part
1	HG 761163	1	HOUSING, pump
8			Not supplied by American Bosch (Ermeto)
9			Not supplied by American Bosch (Ermeto)
10	HP 76160	1	HOLDER, delivery valve (9/16" x 18 thread for Ermeto)
17	BC 76188-5A	1	PLUNGER AND BARREL ASSEMBLY - 8 mm diameter plunger
19	SV 7641	1	SLEEVE, control

NOTE: Timed for port closing.

Omit parts illustration numbers 2, 29 and 30.

FOR ALL OTHER PARTS SEE MANUAL PAGES 1 AND 2

4326A

PLB 1A 75A 4326A - D. W. Onan & Sons

Illustration Number	Part Number	Quantity Used	Description of Part
2	LE 7626A	1	LEVER, control
8			Not supplied by American Bosch (Ermeto)
9			Not supplied by American Bosch (Ermeto)
10	HP 76161	1	HOLDER, delivery valve (9/16" x 18 thread for Ermeto)
17	BC 763-2A	1	PLUNGER AND BARREL ASSEMBLY - 7.5 mm diameter plunger

FOR ALL OTHER PARTS SEE MANUAL PAGES 1 AND 2

PLB 1A 80A 4914A — American Marc

4914A

Illustration Number	Part Number	Quantity Used	Description of Part
17	BC 7638-1A	1	PLUNGER & BBL ASSY, R. H. upper helix-12mm lead
NOTE: Control lever to be mounted 180° from standard.			
NOTE: Lever rotates counterclockwise to stop.			
FOR ALL OTHER PARTS SEE MANUAL PAGES 1 AND 2.			

PLB 1A 65A 5068B — Onan Division — Studebaker-Packard Corp.

5068B

Illustration Number	Part Number	Quantity Used	Description of Part
2	LE 7626A	1	LEVER, control - See Note
10	HP 76161	1	HOLDER, delivery valve
21	GU 76152	1	SEAT, plunger spring - upper
NOTE: Operating lever rotates counterclockwise to stop.			
Omit Illustrated Parts 8 and 9.			
FOR ALL OTHER PARTS SEE MANUAL PAGES 1 AND 2.			

PLB 1A 65A 5102A — Onan

5102A

Illustration Number	Part Number	Quantity Used	Description of Part
1	HG 761193	1	HOUSING, pump
2	LE 7626A	1	LEVER, control
8			Not supplied by American Bosch (Ermeto)
9			Not supplied by American Bosch (Ermeto)
10	HP 76161	1	HOLDER, delivery valve (9/16" x 18" thread for Ermeto)
21	GU 76152	1	SEAT, plunger spring - upper
**	VA 9031A	1	VALVE, chk - in-top-outlet to L. H. when facing sh boss
NOTE: Operating lever rotates counterclockwise to stop.			
Omit Illustrated Parts 8 and 9.			
FOR ALL OTHER PARTS SEE MANUAL PAGES 1 AND 2.			

PLB 1A 65A 6767A — Thermo King Corporation

6767A

Illustration Number	Part Number	Quantity Used	Description of Part
1	HG 761193	1	HOUSING, pump
8			Not supplied by American Bosch (Ermeto)
9			Not supplied by American Bosch (Ermeto)
10	HP 76161	1	HOLDER, delivery valve (9/16" x 18" thread for Ermeto)
21	GU 76152	1	SEAT, plunger spring - upper
NOTE: Operating lever rotates counterclockwise to stop.			
FOR ALL OTHER PARTS SEE MANUAL PAGES 1 AND 2.			

PLB 1A 65A 6778A — Onan

6778A

Illustration Number	Part Number	Quantity Used	Description
2	LE 7626A	1	LEVER, control - See Note
10	HP 76161	1	HOLDER, delivery valve
21	GU 76152	1	SEAT, plunger spring - upper
**	FI 1360	1	ELBOW, inlet - See Note
NOTE: Operating lever rotates counterclockwise to stop.			
NOTE: Elbow fitting must be assembled with outlet towards control lever.			
Omit Illustrated Parts 8 and 9.			
FOR ALL OTHER PARTS SEE MANUAL PAGES 1 AND 2.			

**Not Illustrated