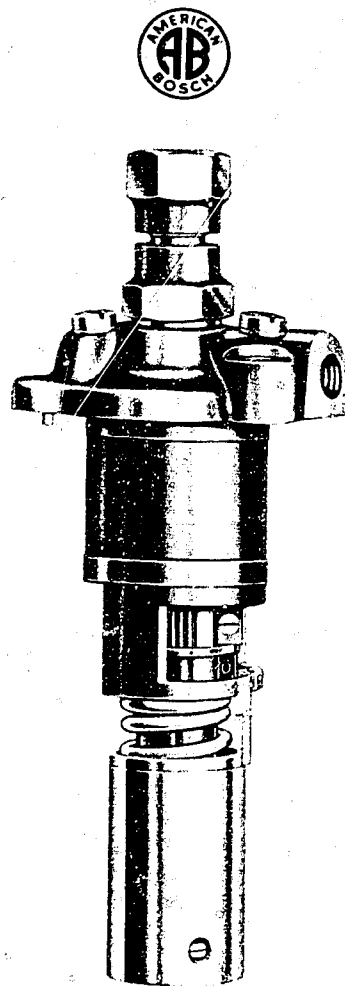


PUB
1B

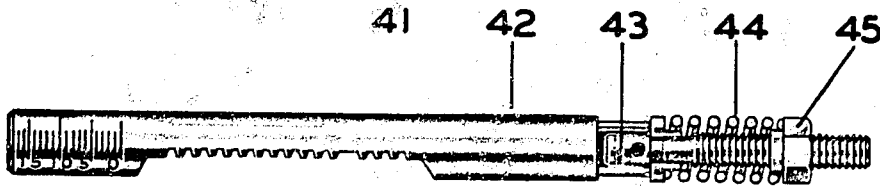
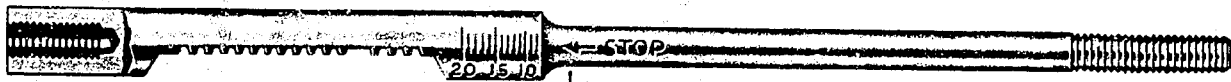
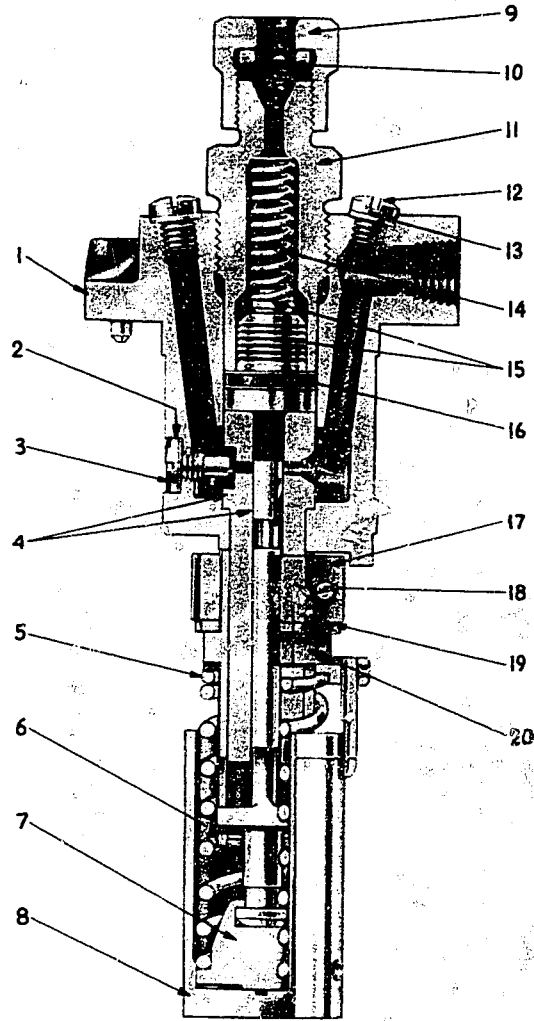
AMERICAN BOSCH CORPORATION SPRINGFIELD, MASS.

These pages supersede manual page D219 issued July, 1944, and pages D219/1 — D219/2 issued January, 1942.

AMERICAN BOSCH FUEL INJECTION PUMP



TYPE PUB...B and CONTROL ROD ASSEMBLIES SERVICE PARTS LISTS



PUB 50-75 B1

<u>Illustration Number</u>	<u>Part Number</u>	<u>Quantity Used</u>	<u>Description of Parts</u>
1	HG 76172A	1	HOUSING, pump
2	GA 7696	1	GASKET, barrel locating screw
3	SC 7649	1	SCREW, barrel locating
4	PPK 1/10Z	1	PLUNGER and BARREL ASSEMBLY— 5 mm diameter
4	PPK 1/400Z	1	PLUNGER and BARREL ASSEMBLY— 5.5 mm diameter
4	PPK 1/6Z	1	PLUNGER and BARREL ASSEMBLY— 6 mm diameter
4	PPK 1/5Z	1	PLUNGER and BARREL ASSEMBLY— 6.5 mm diameter
4	PPK 1/1Z	1	PLUNGER and BARREL ASSEMBLY— 7 mm diameter
4	PPK 1/7Z	1	*PLUNGER and BARREL ASSEMBLY— 7.5 mm diameter
5	SP 7615/3	1	SPRING, plunger
6	RG 765	1	RING, plunger retaining
7	‡GU 7613/1	1	SEAT, plunger spring—lower
	‡GU 7613/2	1	SEAT, plunger spring—lower
	‡GU 7613/3	1	SEAT, plunger spring—lower
8	GU 7614	1	CUP, plunger guide
9	WMU 2064/1X	1	NUT, delivery nipple
10	WMS 2081/2X	1	WASHER, nipple nut
11	HP 7629	1	HOLDER, delivery valve
12	SC 7648	2	SCREW, bleeder
13	GA 7697	2	GASKET, bleeder screw
14	WSF 2206A1X	1	*SPRING, delivery valve
15	PVE 64/1Z	1	*VALVE ASSEMBLY, delivery
16	WNR 2021/1X	1	*GASKET, delivery valve
17	GE 761	1	SEGMENT, control gear
18	SC 7647	1	SCREW, control gear segment clamping
19	WA 765	1	WASHER, guide
20	BG 7627/1	1	SLEEVE, control

‡ Important Note: Lower plunger spring seats (one used per pump) are stamped /1, /2 or /3 on bottom, according to whether the part number is GU 7613/1, GU 7613/2 or GU 7613/3, respectively. When ordering replacement, use the stamped number as guide.

Control Rod Assembly RD 7648 A

41	RD 7650	1	RACK, control, long (for one cylinder engine or cylinder nearest governor on two cylinder engine).
42	RD 7649	1	RACK, control, short (for second cylinder of two cylinder engines assembled by parts 43-45).
43	SC 7650	1	SCREW, adjusting
44	SP 7619	1	SPRING
45	NT 7613	1	NUT

*Fast moving part

B3**PUB 65 B3—Hercules 3¼ x 4½ model DIX engine**

<u>Illustration Number</u>	<u>Part Number</u>	<u>Quantity Used</u>	<u>Description of Parts</u>
1	HG 76182A	1	HOUSING, pump
5	SP 7615/1	1	SPRING, plunger
9	WMU 2160/1X	1	NUT, delivery nipple
10	WMS 2081/5X	1	WASHER, nipple nut
11	HP 7626	1	HOLDER, delivery valve
20	BG 7627	1	SLEEVE, control

For all other parts, see manual page D 219b

B4**PUB 100 B4 }
PUB 110 B4 } John Deere 5¾ x 8 engine**

1	HG 76242A	1	HOUSING, pump
4	PPK 9/8Z	1	PLUNGER & BARREL ASSEMBLY—100 B4
4	BC 7663-1A	1	PLUNGER & BARREL ASSEMBLY—110 B4
11	HP 7628	1	HOLDER, delivery valve
14	WSF 2141A1X	1	*SPRING, delivery valve
15	PVE 30/1Z	1	*VALVE ASSEMBLY, delivery
19	WA 7610	1	*WASHER, guide

For all other parts, see manual page D 219b

B30**PUB 65 B30—Hercules 3¼ x 4½ model DIX engine**

1	HG 76149A	1	HOUSING, pump
9	WMU 2160/1X	1	NUT, delivery nipple
10	WMS 2081/5X	1	WASHER, nipple nut
11	HP 7626	1	HOLDER, delivery valve
14	SP 7622	1	*SPRING, delivery valve

For all other parts, see manual page D 219b

*Fast moving part